

*Extend any RS232 and stereo device  
up to 3000ft using a single Cat5 cable.*

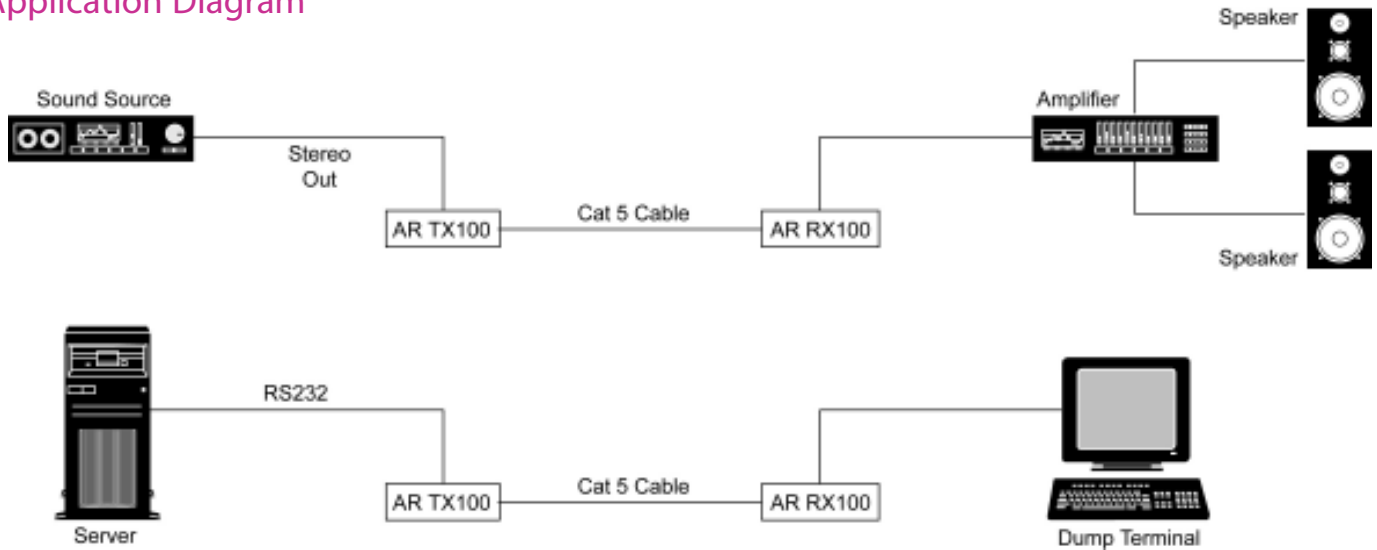


The AR100 RS232 - Sound Cat5 extender allows you to extend any full Duplex RS232 with any Stereo sound up to 3000ft using a single unshielded Cat5 cable.

## FEA TURES

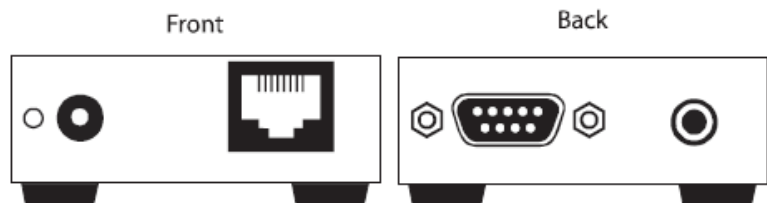
- ▲ Unbalanced stereo line level analogue audio to be transmitted via UTP Cat5 Hi-fidelity audio frequency response.
- ▲ Extend any touch screen up to 3000ft.
- ▲ Extend any sound system up 3000ft.
- ▲ Supports all protocol and baud rates.
- ▲ Uses easy to install inexpensive CAT5.
- ▲ Output reaches up to 3000 feet.
- ▲ Compatible with line level stereo audio signals.
- ▲ High ground loop immunity.
- ▲ Built-in lightning, power surge and transient protection.
- ▲ Remote units come with buffered outputs.
- ▲ Compact enclosure.
- ▲ Optional power supply for remote unit.
- ▲ Fully transparent path for all protocols and data transfers.

## Application Diagram



## Applications

- ▲ Hotel
- ▲ Cable TV remote control
- ▲ Control rooms
- ▲ Remote On-Digital set-top control
- ▲ Sky box control extension and switcher output
- ▲ Dealer rooms
- ▲ Point of Sale
- ▲ Remote VCR control



| SPECIFICATIONS       |   |
|----------------------|---|
| RS232                | (TX - DB9Female) (RX - DB9Male)   |
| Protocol             | Full duplex, transparent to all baud rate   |
| Audio                | Signal Type Stereo Audio<br>Bandwidth 15MHz, 0dB<br>Impedance 100 Ohm<br>Connector 3.5mm mini jack, Femal |
| Cat5                 | UTP Cat5, up to 3300ft  |
| Power                | 5VDC  |
| Dimensions (Inches)  | (L) 3.5" x (W) 2.75" x (H) .825"  |
| Product Weight (lbs) | 0.20 lbs  |

| ORDER INFO |  |
|------------|--|
| Model      | Description                                |
| AR100      | Transmitter and Receiver for DVI over CAT5 |
| AR-RX100   | DVX Receiver. Receiver DVI over STP cable. |
| AR-TX100   | DVX Transmitter. Transmitter DVI over CAT5 |

**SmartAVI, Inc.**  
 11651 Vanowen St.  
 North Hollywood, CA 91605  
 Tel: (818) 503-6208  
 Fax: (818) 503-6208  
 Email: info@smartavi.com  
 www.smartavi.com