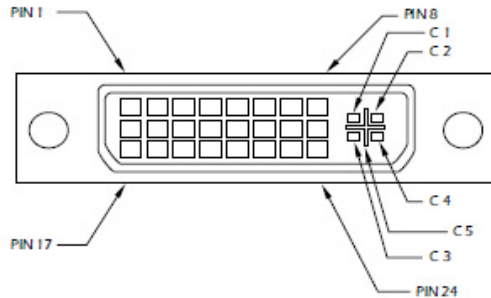


## Technical Specifications

### Input/Output Signal



Pin #	Signal	Pin #	Signal
1	T.M.D.S Data 2-	16	Hot Plug Detect
2	T.M.D.S Data 2+	17	T.M.D.S Data 0-
3	T.M.D.S Data 2/4 Shield	18	T.M.D.S Data 0+
4	T.M.D.S Data 4-	19	T.M.D.S Data 0/5 Shield
5	T.M.D.S Data 4+	20	T.M.D.S Data 5-
6	DDC Clock	21	T.M.D.S Data 5+
7	DDC Data	22	T.M.D.S Clock Shield
8	Analog Vert. Sync	23	T.M.D.S Clock+
9	T.M.D.S Data 1-	24	T.M.D.S Clock -
10	T.M.D.S Data 1+		
11	T.M.D.S Data 1/3 Shield	C1	Analog Red
12	T.M.D.S Data 3-	C2	Analog Green
13	T.M.D.S Data 3+	C3	Analog Blue
14	5VDC 1.6A	C4	Analog Horiz Sync
15	GND	C5	Analog Ground

## Resolutions

Supported by the internal EDID configuration

Resolution	Refresh Rate
640 x 480	85 Hz
800 x 600	85 Hz
1024 x 768	85 Hz
1152 x 870	75 Hz
1280 x 768	75 Hz
1280 x 960	60 Hz
1280 x 1024	60 Hz
1600 x 1200	60 Hz
1920 x 1200	60 Hz

© Copyright 2007 Smart-AVI, All Rights Reserved

## Notice

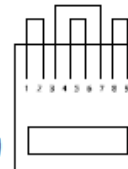
The information contained in this document is subject to change without notice. Smart-AVI makes no warranty of any kind with regard to this material, including but not limited to, implied warranties of merchantability and fitness for any particular purpose.

Smart-AVI will not be liable for errors contained herein or for incidental or consequential damages in connection with the furnishing, performance or use of this material.

No part of this document may be photocopied, reproduced or translated into another language without prior written consent from Smart-AVI.

## Preparing System CAT6 Cable

Pair 1 Pins 1 & 2  
 Pair 2 Pins 3 & 6  
 Pair 3 Pins 4 & 5  
 Pair 4 Pins 7 & 8



Connectors: RJ-45  
 Capacitance: 14 pf/ft (46.2 pf/m)  
 Conductor Gauge: 24 AWG  
 Impedance: 100 +/- 15 ohms  
 4 - Pair, (stranded) Foil Shielded

# Smart-AVI

Smart Audio Video Integration

## User Manual

### DVX-PRO



The DVX-PRO extends any DVI-D signal, full duplex RS232 and stereo sound up to 250ft with Cat6 STP cable

www.smartavi.com

**800.AVI.2131**  
**Tel: (818) 503-6200**  
**Fax: (818) 503-6208**  
**11651 Vanowen St.**  
**North Hollywood, CA 91605**  
**SmartAVI.com**

## Introduction

The DVXPRO extends the distance between any computer supporting single-link DVI-D and a monitor or projector with a compatible DVI input.

## Features

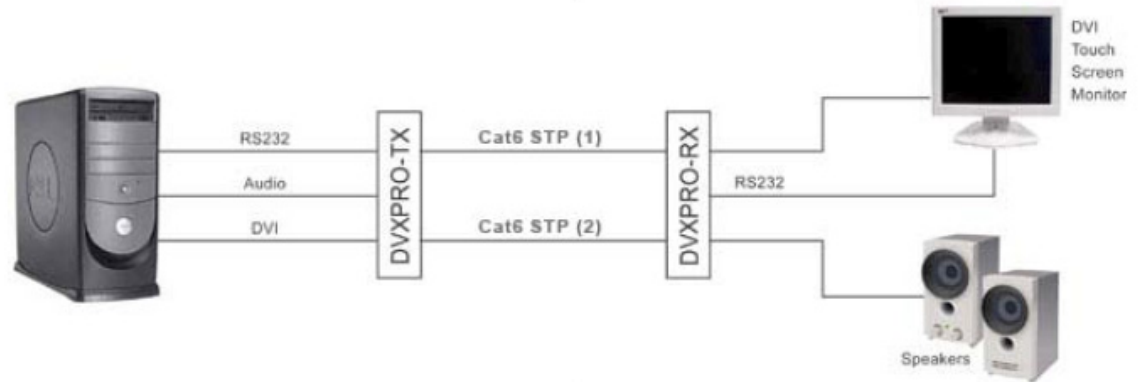
- Top Image Quality at all Resolutions.
- Video Resolutions up to 1920 x 1200 @ 60Hz (1280 x 1024 @ 75Hz). on all distances up to the maximum distance.
- User selectable: DCC-Information used from the remotely located monitor, from the locally located Monitor or from an internal DDC Table.
- Basic device to remotely locate Touch Screen and Sound.
- Full duplex RS232 up to 150kbps.
- Maximum Screen Resolution on all distances: 250 ft w/ STP Cat5e.
- Compatible with all operating systems.
- Compatible with all major Touch Screen and Tablet.
- Rack Mount options (19"): Mount up to 4 devices in a 19"/1U rack mount kit.
- Supports Stereo Sound.

## Applications

- Perfect Image Quality at all Resolutions.
- Call Centers (co-locate user's computers).



## Installation Diagram



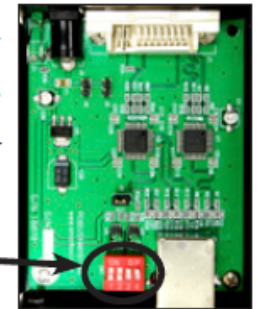
## Installation

1. Turn off computer and monitor.
2. Connect DVI male to male cable between the computer and the transmitter.
3. Connect monitor or projector to the DVI port on the receiver.
4. Connect RS232 port
5. Connect audio cable
6. Connect a shielded Cat 6 STP cable between port 1 on the transmitter and port 1 on the receiver.
7. Plug in the power transformers and connect them to the transmitter and receiver.
8. Turn on the monitor and computer.

## Setting the DDC

DDC provides plug-and-play capability to your displays. When you plug a display into your computer, the DDC table in the display tells the computer the optimal resolution to use. This device is capable of supporting two primary types of displays: PC and Mac. The default setting is PC.

To change this setting, first remove the top cover from the TRANSMITTER by removing the four side screws. Next, locate the DIP switches near the rear of the device next to the Data Port (RJ45 Ethernet Port).



For PC, configure the switches as shown below:



1&2 ON, 3&4 OFF

For Mac, configure the switches as shown below:



1&2 OFF, 3&4 ON