



Four-Port USB 2.0 Extender Over Cat5e/6 up to 150 ft

USB2-Mini

Low-Cost, High-Performance USB 2.0 Extender Over Cat5e/6

Extend the transmission distance between a USB device and its host computer up to 150 feet

OVERVIEW

SmartAVI's USB2-Mini extends standard USB (Universal Serial Bus) 2.0 signals up to 150 feet using a single Cat5e/6 cable. The USB2-Mini supports all USB 2.0 high-speed devices, from keyboards to printers, and will operate on Windows®, Mac and Linux® operating systems. An integrated four-port hub allows for multiple devices to be connected to the USB2-Mini at once. Additional USB hubs can be added, increasing the amount of devices that can be plugged into the USB2-Mini.

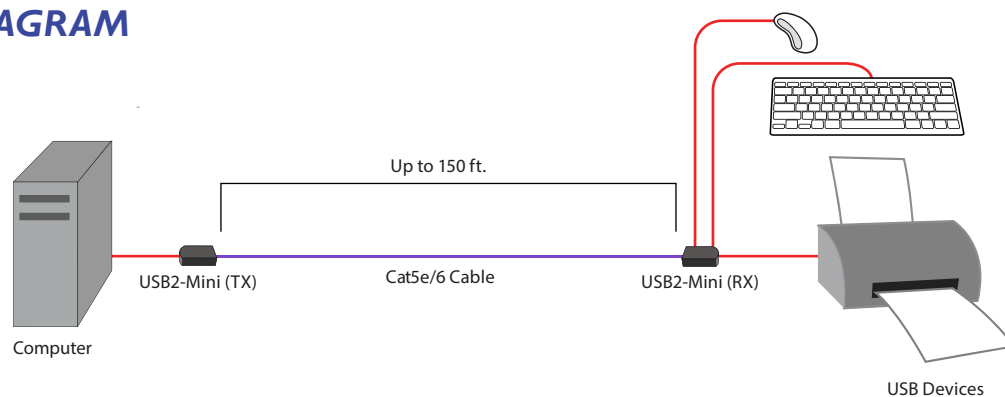
FEATURES

- Supports all USB 2.0 and 1.1 Devices Transparently (Flash Drives, Printers, etc.)
- Supports USB 1.1 Keyboard and Mouse
- Works on Windows, Mac and Linux Operating Systems
- Integrated Four-Port Hub
- Bus-Powered Local Unit
- Power Adapter for Remote Unit
- Plug-and-Play Ready

APPLICATIONS

- Digital Signage
- Home Networking
- Remote USB Connections
- USB Device Sharing
- USB Electronics Devices
- Security Systems
- KVM Extension

APPLICATION DIAGRAM



SPECIFICATIONS

ELECTRICAL	
Range over Cat5/6	150 ft.
USB DATA	
USB Fixed Data Rate	480Mbps
USB Version Compatibility	2.0 and 1.1
USB Connector Type (TX)	(1) Type B
USB Connector Type (TX)	(4) Type A
UTP DATA	
Signal Type	LVDS
Connector	Unshielded RJ-45
POWER	
External or via USB	5V DC @ 2mA
Connector	2.1mm DC jack (center+ve)
PHYSICAL	
Dimensions	3.375"x3.375"x1.5"
Weight	.14lb



USB2-Mini Front



USB2-Mini Back

Part No.	Description
USB2-MINI-S	USB 2.0/1.1 over Cat5e/6 Extender. Includes: [USB2M-TX, USB2M-RX, and PS5VD4A]

Many leading companies have recognized and embraced the innovation of SmartAVI's technologies and have successfully incorporated them into their organizations. Users of SmartAVI include:



 Designed and Manufactured in the USA

www.smartavi.com

Tel: 800.AVI.2131 • 818.503.6200 • 11651
Vanowen St. North Hollywood, CA. 91605

Smart-AVI
SMART AUDIO VIDEO INNOVATION