

TECHNICAL SPECIFICATION

USB	
Signal Type	USB 2.0
Input Interface (TX)	(1) USB Type B (Female)
Output Interface (RX)	(4) USB Type A (Female)
OTHER	
Power Supply	External 100-240 VAC/5VDC2A
Dimensions	3.625" W x 1" H x 3" D
Weight	1.5 lb
Operating Temp.	0 to 40°C (32° to 104° F)
Storage Temp.	-20° to 60°C (-4° to 140° F)
Humidity	Up to 95% (non-condensing)

WHAT'S IN THE BOX

PART NO.	Q-TY	DESCRIPTION
USB-2PTX	1	USB 2.0/1.1 CAT5 Transmitter
USB-2PRX	1	USB 2.0/1.1 CAT5 Receiver
5VDC2A	1	PS5VD2A power supply
Quick Start Guide	1	

NOTICE

The information contained in this document is subject to change without notice. SmartAVI makes no warranty of any kind with regard to this material, including but not limited to, implied warranties of merchantability and fitness for particular purpose.

SmartAVI will not be liable for errors contained herein or for incidental or consequential damages in connection with the furnishing, performance or use of this material.

No part of this document may be photocopied, reproduced, or translated into another language without prior written consent from SmartAVI Technologies, Inc.



800.AVI.2131, 702.800.0005
2455 W Cheyenne Ave, Suite 112
North Las Vegas, NV 89032

SmartAVI.com

Smart-AVI
SMART AUDIO VIDEO INNOVATION

USB2PRO

USB 2.0 EXTENDER OVER CAT5



**EXTENDS USB 2.0
UP TO 300 FEET
OVER CAT5 CABLE**

Quick Start Guide

OVERVIEW

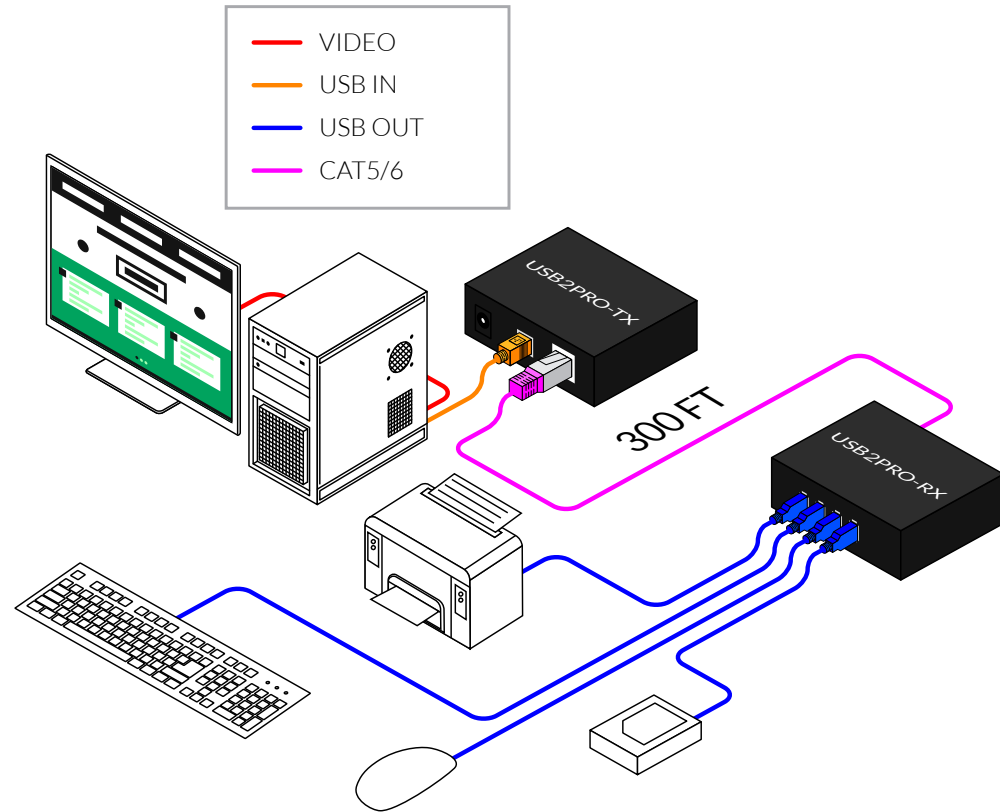
SmartAVI's USB2Pro extends standard USB (Universal Serial Bus) 2.0 signals up to 300 feet using a single CAT5 cable. The USB2Pro supports all USB 2.0 high-speed devices, from keyboards to digital cameras and will operate on Windows®, Mac and Linux® operating systems. An integrated four-port hub allows for multiple devices to be connected to the USB2Pro at once. Additional USB hubs can be added, increasing the amount of devices that can be plugged into the USB2Pro.

FEATURES

- Supports all USB 2.0 and 1.1 Devices Transparently (Flash Drives, Printers, Cameras, Scanners, etc.)
- Supports USB 1.1 keyboard and mouse
- Works on Windows, Mac and Linux Operating Systems
- Integrated Four-Port Hub
- Bus-Powered Local Unit
- Power Adaptor for Remote Unit
- Plug-and-Play

HARDWARE INSTALLATION

1. Power off all devices.
2. Connect the USB source (computer) to the USB port on the front of the USB2Pro Transmitter.
3. Connect the USB2Pro Transmitter to the USB2Pro Receiver with a CAT5 cable using the front ports.
4. Connect up to 4 USB 2.0 devices to the rear ports on the USB2Pro Receiver.
5. Power on the USB2Pro Transmitter and Receiver by plugging the AC Adapter into the front ports of the unit.
6. Power on the computer and USB devices.



FRONT AND BACK



USB-2PTX Front Panel



USB-2PTX Back Panel



USB-2PRX Front Panel



USB-2PRX Back Panel