

HDMI Extender



HDX-Plus

HDMI, IR and RS-232 Extender Over Two CAT5 UTP Cables

Watch and Control HDTV 1080p video over 200ft (60m) from the source

OVERVIEW

The HDX-Plus uses two CAT5 UTP cables to extend HDMI signals – including high-definition TV – over 200ft (60m) from the source. It is capable of transmitting high-resolution HD video up to 1080p. Controlling a video source is easy with the HDX-Plus' bi-directional IR and RS-232 extension. Whether it's for a home entertainment system or a commercial installation, the HDX-Plus delivers flexibility and control.

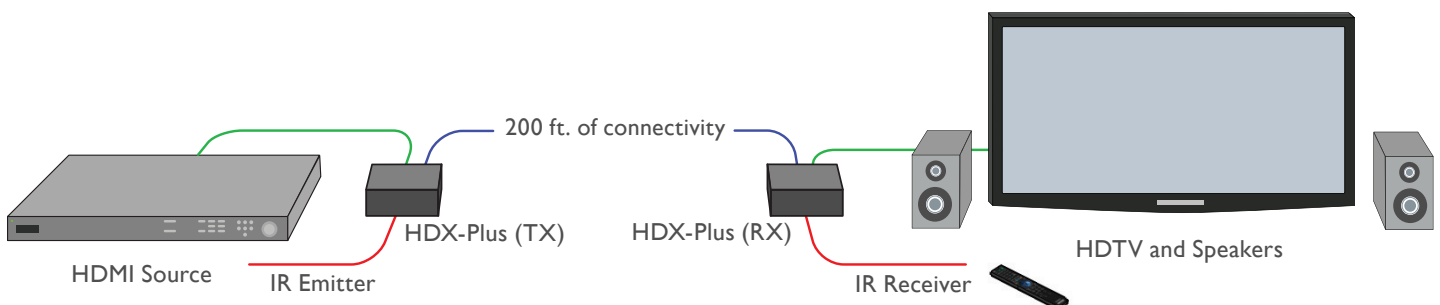
FEATURES

- Extends HDMI output over two CAT5/5e/6 UTP cable
- Extends IR and RS-232 control signals for remote control
- Delivers uncompressed HD video up to 1080p@60Hz@48bits and 3D
- Data signals up to 3.4Gbps
- HDMI 1.3 and HDCP compliance
- IR and RS-232 communication are bi-directional
- Transmits high-quality Dolby TrueHD, DTS-HD MA audio signals
- Transmits 1080p resolution over 200 feet (60 meters) from the source

APPLICATIONS

- Home Theater
- Corporate/Educational Presentations
- Call Centers
- Industrial (Long-Range Workstation Isolation)
- Information Terminals/Kiosks
- Airport Installations
- Educational Environments with remote displays

APPLICATION DIAGRAM



SPECIFICATIONS



HDX-Plus-TX-Front



HDX-Plus-TX-Rear



HDX-Plus-RX-Front




HDX-Plus-RX-Rear

| VIDEO | |
|--------------------------|-------------------------------------|
| Format | HDMI 1.3 and HDCP compliant |
| HDTV Resolutions | 480p, 720p, 1080i, 1080p/60Hz/48bit |
| TV Resolution | 480i |
| Input Interface (TX) | HDMI Type A 19-pin Female TMDS |
| Output Interface (RX) | HDMI Type A 19-pin Female TMDS |
| Input Cable Length (TX) | Up to 40 ft. |
| Output Cable Length (RX) | Up to 40 ft. |
| AUDIO | |
| Format | Dolby TrueHD, DTS-HD MA |
| Input Interface | HDMI (Integrated) |
| Output Interface | HDMI (Integrated) |
| IR | |
| Signal Type | 38 KHz |
| Interface | 3.5 mm Jack Socket (Female) |

| RS-232 | |
|-----------------------|----------------------------------|
| Baud Rate | Up to 19,200 bps |
| Input Interface (TX) | DB-9 (Serial) Female |
| Output Interface (RX) | DB-9 (Serial) Male |
| SYSTEM | |
| Interface | RJ-45 |
| Cable Requirements | CAT5/5e/6 |
| Maximum Length | 200 feet (60 meters) |
| OTHER | |
| Power | External 100-240 VAC/5VDC2A @10W |
| Dimensions | 5"W x 1.125"H x 4.125"D |
| Weight | 0.6 lbs. |
| Approvals | UL, CE, ROHS Compliant |
| Operating Temp. | 32-131°F (0-55 °C) |
| Storage Temp. | -4-185 °F (-20-85 °C) |
| Humidity | Up to 95% |

| Part No. | Description |
|------------|--|
| HDX-Plus-S | HDMI, IR, RS-232 Point to Point CAT5 Extender. Includes: [HDX-Plus-TX, HDX-Plus-RX, 2 x (PS5VD2A)] |

 Designed and Manufactured in the USA