

SMA-AM44

Digital Audio SPDIF 4x4 Switch



Route and switch four optical digital audio inputs to four optical digital audio outputs

FEATURES

- Four SPDIF fiber optic inputs and four SPDIF fiber optic outputs
- Supported formats: DTS-HD, Dolby-TrueHD, LPCM2.0, DTS, Dolby-AC3, DSD
- Supports signal retiming
- Switching and control through front panel buttons
- Retains memory of output configuration after powering off and on
- Built in over-voltage protection
- LED status indicator lights
- No loss of quality
- Plug-and-play ready

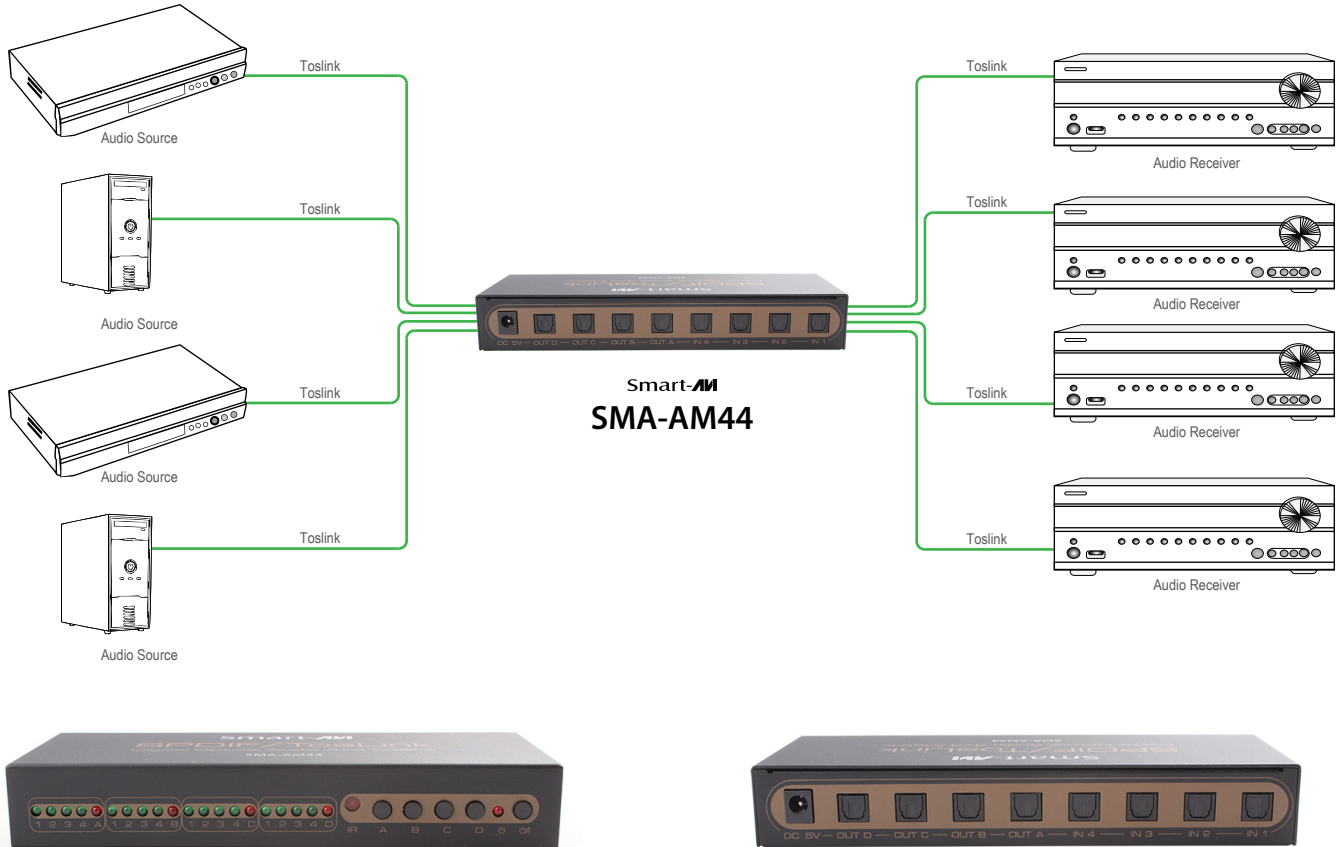
APPLICATIONS

- Home Theatre
- Control Rooms
- Production Studios
- PA Systems
- A/V Presentations
- Meeting Rooms

OVERVIEW

The SMA-AM44 enables to users to manage four digital audio signals (SPDIF over fiber optics) across four digital audio outputs. By using the latest in digital connections, the device delivers the utmost in quality audio, with numerous audio formats supported, including DTS-HD, Dolby-TrueHD, LPCM2.0, DTS, Dolby-AC3 and DSD. As A/V products continue to move into the digital realm, including the latest Blu-ray players, for example, this digital audio matrix provides a simple plug-and-play solution for digital audio routing.

APPLICATION DIAGRAM



SMA-AM44 Front

SMA-AM44 Rear

Specs	
Support audio format	DTS-HD, Dolby-TrueHD, LPCM2.0, DTS, Dolby-AC3, DSD
Peak wavelength	650nm
Max baud rate	16Mbps
Max working current	100mA
Power adapter format	Input:AC (50HZ, 60HZ) 100V-240V; Output: DC5V/500mA
Operating Temperature range	(0 to +40)
Operating Humidity range	5 to 90%RH (No Condensation)
Dimension (L x W x H)	2.6" x 7" x 1.1"
Weight	0.8lbs

ORDERING INFORMATION

Part No.	Description
SMA-AM44S	Digital Audio SPDIF 4x4 Matrix

www.smartavi.com

Tel: 800.AVI.2131 • 818.503.6200 • 11651

Vanowen St. North Hollywood, CA. 91605

Smart-AVI
SMART AUDIO VIDEO INNOVATION