

# SaviStreamer 3300

1080p Full HD H.264 Web Stream Encoder



Turn your HDMI signals into high quality, low-bandwidth H.264 web streams at resolutions up to 1080p Full HD!

## FEATURES

- Encode HDMI & VGA source signals as high definition, low-bandwidth H.264 web streams
- Supports video input resolutions up to 1080p (1920x1080 @ 60Hz)
- Supports audio via HDMI & stereo connectors
- Supports local HDMI & audio output for previewing streams directly from the unit
- Supports RS-232
- RJ-45 connector for Ethernet access & control
- Pairs with SaviDecoder D300 & SaviGateway G300
- Plug-and-play for immediate use

## APPLICATIONS

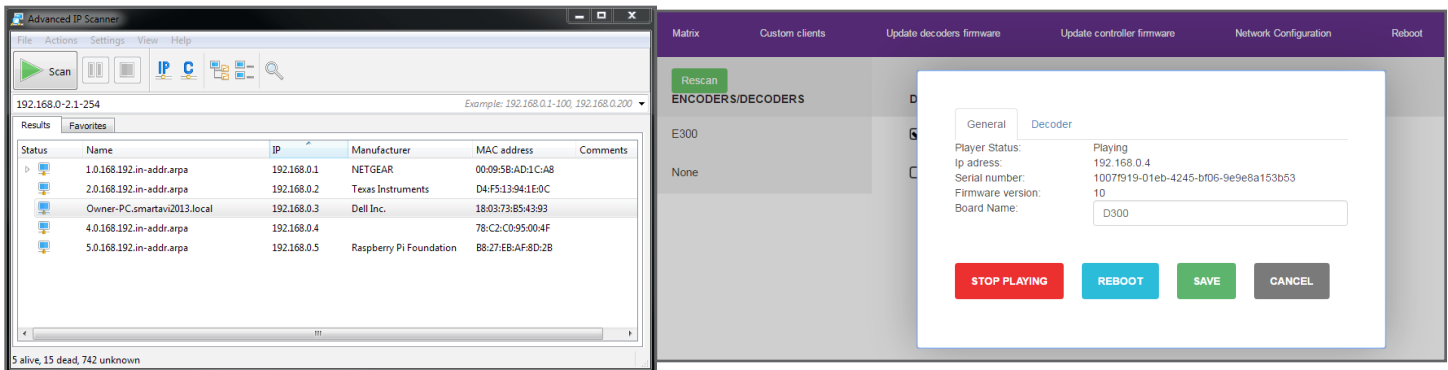
- Retail Stores
- Business Lobbies
- Restaurants
- Airports & Transportation Hubs
- Hospitals
- Schools & Universities
- Hotels
- Government Buildings
- Convention & Conference Centers
- Entertainment Venues



## ACCESS HD WEB-STREAMS WITHOUT A COMPUTER

The SaviStreamer E300 is one of the most cost-effective and efficient ways to create high definition, low-bandwidth web streams on the market.

This plug-and-play solution encodes VGA & HDMI signals into H.264 digital media at resolutions up to 1080p Full HD (1920x1080 @ 60Hz), perfect for distributing content over vast distances using the Internet. Part of SmartAVI's A/V Over IP Solutions, the E300 creates web streams, assigning incoming media a unique IP address accessible using SaviDecoder D300 and SaviGateway G300 units.



*Easily connect to, configure, and control your E300 streams remotely using the SaviGateway G300's online control interface.  
(SaviGateway G300 sold separately)*

The SaviStreamer E300 features audio support via both HDMI and stereo audio connectors. Preview and enjoy local streaming output with HDMI or stereo audio, and conveniently control the unit from a PC using TCP/IP Ethernet interfaces or RS-232 commands. With the SaviStreamer E300, stream set-up has never been easier or more efficient!

## PART OF THE A/V OVER IP SOLUTIONS SYSTEM

The SaviStreamer E300 is one of three A/V Over IP Solutions powered by SmartAVI. Comprised of the E300, SaviDecoder D300 decoder, and SaviGateway G300 network gateway, A/V Over IP Solutions allow users to optimize distribution of HD media through the use of high quality, low-bandwidth web streams.



SaviStreamer E300



SaviDecoder D300

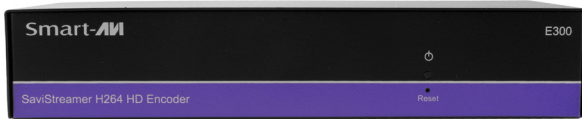
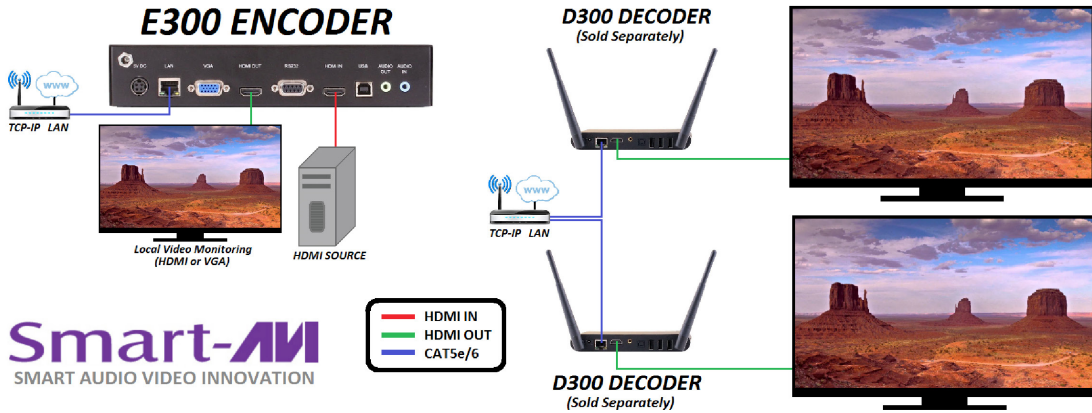
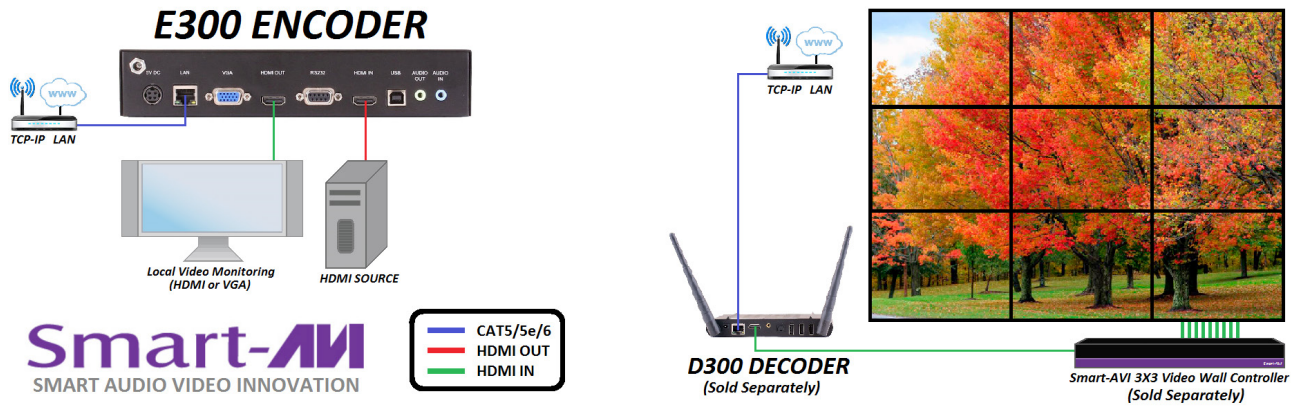


SaviGateway G300

## A/V Over IP Solutions excel at:

- Live event streaming
- Long-distance display unity
- International conferencing
- Broadcasting and syndication
- Data and visualization sharing
- Commercial content distribution
- Digital signage distribution
- Video wall distribution

# SPECIFICATIONS



SaviStreamer E300 Front



SaviStreamer E300 Rear

VIDEO	
Format	HDMI 1.4; VGA
DVI Compliance	Single-link DVI-D 1.1 with Adapter
HDCP Compliance	1.0/1.1
Max. Resolutions	Up to 1080p (1920x1080 @ 60Hz)
Input	(1) HDMI; (1) VGA HD15
Local Output	(1) HDMI
Max Cable Length	20 ft.
Stream Output Format	MPEG-4 Part 10 / AVC (H.264)
AUDIO	
Input	(1) HDMI; (1) 3.5mm stereo audio jack
Local Output	(1) HDMI; (1) 3.5mm stereo audio jack
Stream Output Format	MPEG4-GENERIC; MPEG4-LATM

OTHER	
Network Connector	(1) RJ-45
Streaming Protocols	RTP, RTSP, RTCP, UDP
Command Protocols	TCP/IP, UPnP, HTTPS
USB Connector	(1) Type B Female (firmware updates only)
RS-232 Connector	(1) DB9 female
Compression	H.264/MPEG4 Part 10 (AVC)
Power	PS5VDC4A
Dimensions	9" W x 4" D x 1.8" H
Weight	0.75 lbs
Working Temp.	32 to 113°F (0 to 45 °C )
Storage Temp.	-40 to 131°F (-40 to 55 °C )
Humidity	Up to 80% (working); Up to 95% (storage)

## ORDERING INFORMATION

Part No.	Description
SAVI-ST-E300-S	1080p H.264 Streaming Encoder Includes: [SAVI-ST-E300, (PS5VDC4A)]

[www.smartavi.com](http://www.smartavi.com)

Tel: 800.AVI.2131 • 818.503.6200 • 11651  
Vanowen St. North Hollywood, CA. 91605

**Smart-AVI**  
SMART AUDIO VIDEO INNOVATION