

# XTPRO XTREEM



BREAK THROUGH CONVENTIONAL DISTANCE LIMITATIONS  
OF VIDEO SIGNAL TRANSMISSION OVER CAT5

BOOSTS PRO-A/V COMPONENT SIGNALS UP TO 1,699 FT

XTPRO FAMILY

## Enhanced media distribution and extension via CAT5

Broadcast high resolution video and stereo audio over  
CAT5 cabling up to 1,699 ft away, with automatic skew corrections

The XTPro Xtream receiver from Smart-AVI supports SuperMatrix, CATSwitch, and the entire line of XTPro extenders.

### FEATURES:

- Integration with other Smart-AVI Products
- Simple Plug-and-play Setup
- Boost Professional Audio-Visual Component Signals to 1,799 Feet over CAT5
- Resolutions up to 1920x1200
- Signal Amplification Technology Designed to Extend A/V Signaling Without Data Loss or Degradation
- Automatic Digital Video Tuning for Optimal Image at all Resolutions
- Automatic Gain Control for Clean, Strong Signals to Maximum Length
- Remote Controlled Automatic Skew Adjustment for perfect AV Signal Timing and Delivery
- 300 MHz Bandwidth
- Transmits High-Resolution UXGA and Stereo Audio
- Compatible with Line Loop Stereo Audio Signals
- High Ground Loop Immunity
- Built-In Lighting, Power Surge and Transient Protection
- Designated Trimmer in the Unit to Compensate for Cable Length
- Compatible with All Operating Systems - PC/Mac
- Supports IR and RS-232 Control
- Compact Metal Casing
- Remote Control for Easy Skew Tuning

### APPLICATIONS:

- Combines with Existing Smart-AVI Products including Splitters, Extenders, Matrices and High-Definition Routers
- Large-Scale Multimedia Productions
- Nightclub/Lounge/Restaurant Design
- Corporate/Educational Facilities
- Mass Transit Terminals
- Video Wall Installations
- Digital Signage Networks
- Controlled/Secure CPU Environment
- Theme Park Design
- Resort/Casino
- House of Worship



### Remote Control for Easy Skew Tuning

XTPro Xtream includes a remote control for easy skew adjustment. Users can automatically adjust/correct skew distortion with the click of a button for perfect a/v signal timing and delivery.

**Smart-AVI**  
SMART AUDIO VIDEO INNOVATION

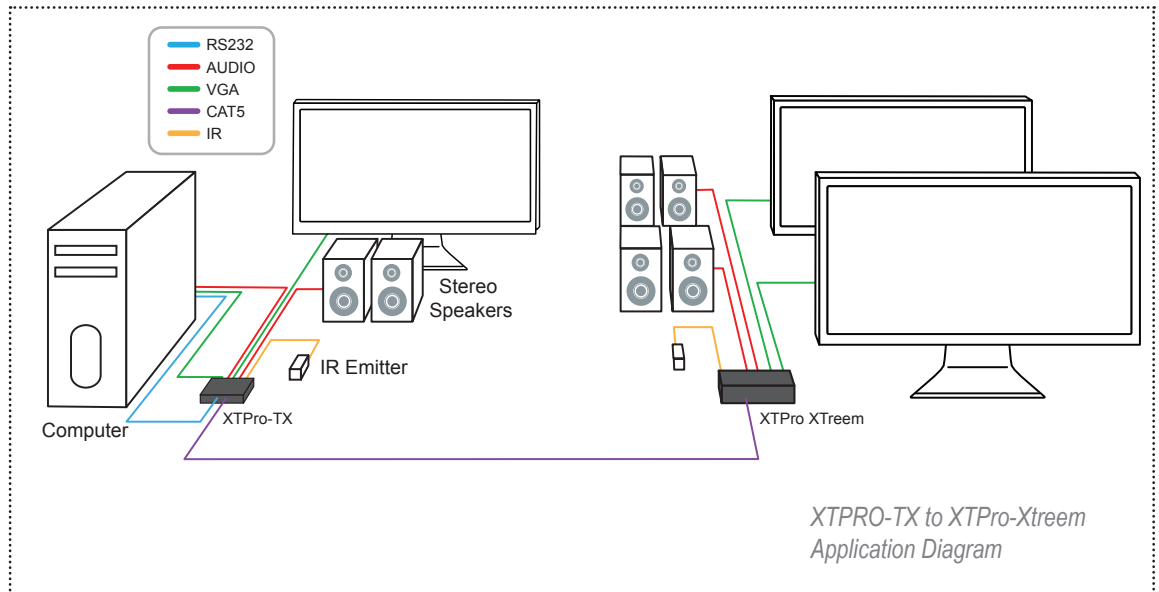
## EXTENDERS SUPPORTED

XTPro Xtream works in concert with existing Smart-AVI extenders and accessories.

### XTPRO-TX:

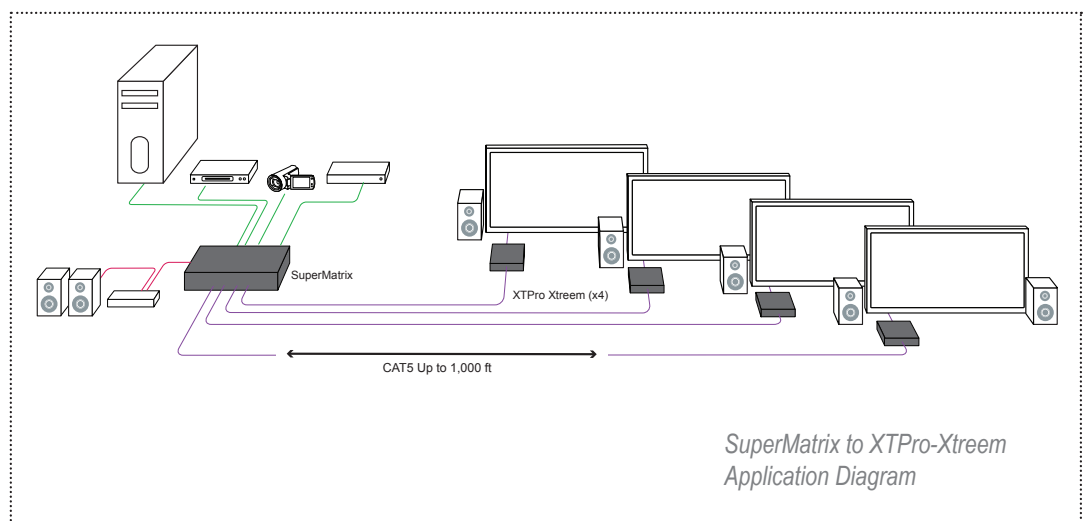
XTPRO is a high resolution UXGA and stereo audio extender system designed to broadcast desktop video, stereo audio signals, IR and RS232 over unshielded twisted pair (UTP) cabling.

With RS232 communication support the XTPRO allows users to send commands to single or multiple devices. This allows the user to change the volume, channel or turn on/off the display panel remotely.



### SuperMatrix:

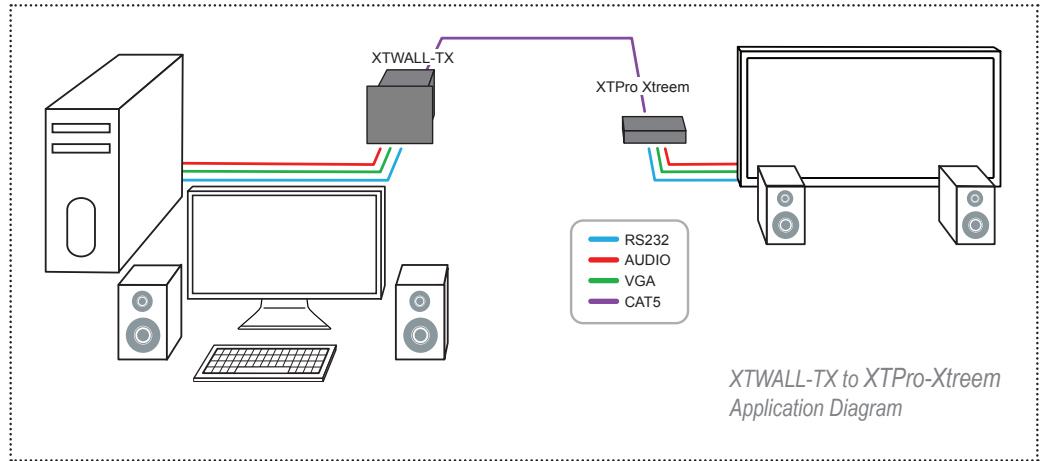
With SuperMatrix, create an audio matrix, video matrix, infrared matrix and full RS-232 matrix that can transmit its signals 1,699 ft from 16 inputs to 16 outputs without signal degradation.



## XTWALL-TX:

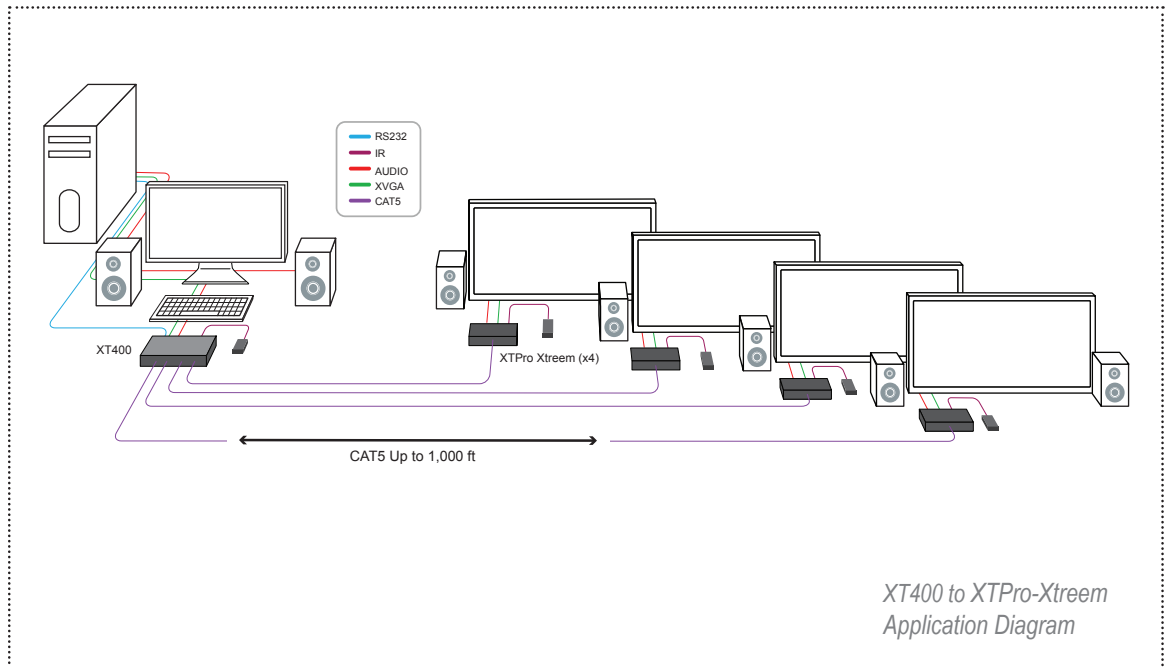
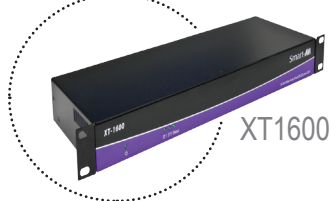
XTWALL is a high resolution UXGA and stereo audio extender system designed to broadcast desktop video, stereo audio signals, IR and RS232 over a single unshielded twisted pair (UTP) cable. Its unique wall mounted design integrates into any interior.

With RS232 communication support the XTWALL allows users to send commands to single or multiple devices. This allows the user to change the volume, channel or turn on/off the display panel remotely.



## XT400, XT800, XT1600:

Smart-AVI's XT400, XT800, and XT1600 allows the extension of a wide range of video and audio formats and RS232 from 4 locations (XT400) to 16 (XT1600) using Catagory 5 unshielded twisted pair (UTP) cables.



## IR-EYE: Recieve infrared signals from virtually ANY remote control device

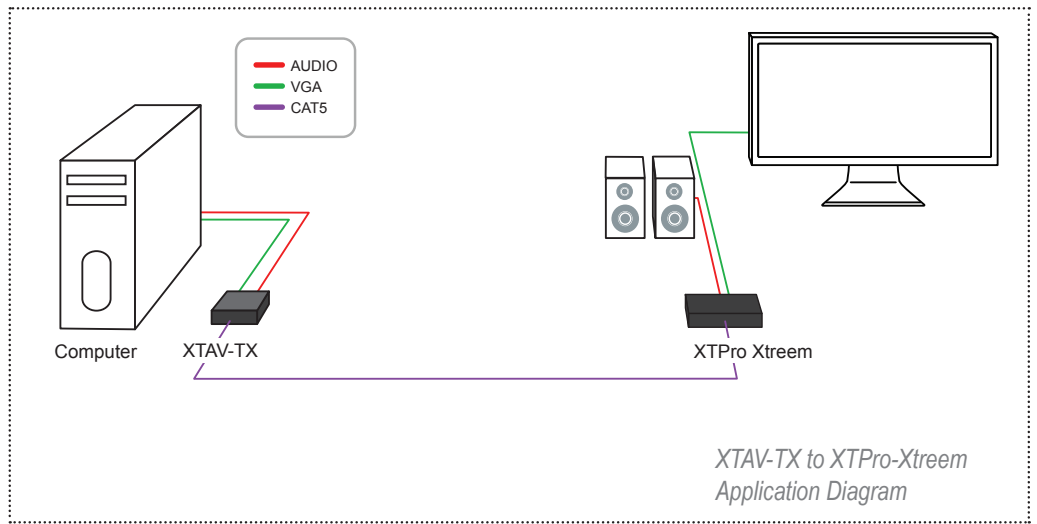
In many audio visual applications, it may be necessary to place a media center device such as a satellite receiver, video player or set-top box in a centralized location that is not in the line-of-sight of the display. Because of this, remote controls for those devices will not work. To correct this, the IR-EYE receives the signals from the remote control and sends them to the media center device by way of an infrared extender.



## XTAV-TX:



XTAV is a high resolution UXGA and stereo audio extender system designed to broadcast desktop video, and stereo audio signals over unshielded twisted pair (UTP) cabling.



### XTPRO XTREEM Front



### XTPRO XTREEM Back



## SPECIFICATIONS

### XTPRO XTREEM Specifications

VIDEO DATA	
Format	RGBHV, RGsB, YUV, Y/C, CVBS
Resolution	Up to 1900 x 1200 VGA, SVGA, XGA, SXGA)
Connector Type	HD 15 socket
VIDEO CONTROL	
Perfect skew delay correction	
Complete skew control for RGB	
Complete control for Contrast	
62ns total delay	
2ns delay step increments	
Calibration saved in Flash	
CAT-5 compensation	
IR	
Input Interface (TX)	(1) 3.5 mm (Female)
Output Interface (RX)	(1) 3.5 mm (Female)
IR Frequency Range	30KHz to 80KHz
Emitter Distance	Up to 10'
Connector	3.5mm Stereo jack for emitter and IR eye
IR-Control	RC5 38KHz
Remote Control	RMT2

AUDIO	
Signal Type	Stereo Unbalanced
Connector	3.5mm jack socket
RS232	
	DB9M
	TXD, RXD, Gnd.
	9600 bps
POWER	
Requirements	5VDC @.5A
Connector	2.1mm DC jack (center +ve)
PHYSICAL	
Dimensions	95 x 80 x 23mm
Weight	0.12 kg
ORDERING INFORMATION	
Part No.	Description
XTP-RXXS	Xtream UXGA/Audio/RS-232/IR CAT5 1699ft Receiver with Remote Control for Skew Setting. Includes: [XTP-RXX, SMRMT, & (PS5VD2A)]



Designed and Manufactured in the USA

**Smart-AVI**  
SMART AUDIO VIDEO INNOVATION