

# SDX-Ultra

HDBaseT 4K Video and USB 2.0 KVM Extender



Extend 4K ultra-HD video, USB 2.0, RS-232, stereo audio, and fully emulated USB keyboard-mouse signals up to 330 feet (100m) over a single CAT5/CAT6 cable.

## FEATURES

- Supports HDMI-based 2K/4K@60KHz resolutions (HDBaseT2.0 technology) over CAT5/6
- Extend 1080p HD video up to 330ft (100m) from its source with DVI-D
- Extend 2K/4K ultra-HD video up to 240ft (80m) from its source with DVI-to-HDMI adaptor
- HDCP & EDID bypass
- Supports optional EDID emulation
- USB 2.0 device signals over CAT5/6
- USB keyboard-mouse emulation
- Stereo audio over CAT5/6
- Full RS-232 control up to (115,200 bps through connector)

## APPLICATIONS

- Presentations
- Conferences
- Surveillance
- Remote monitoring
- Production
- Recording
- Remote command
- System Extension
- Data Processing
- Quality Control
- Video Communication
- Home Entertainment

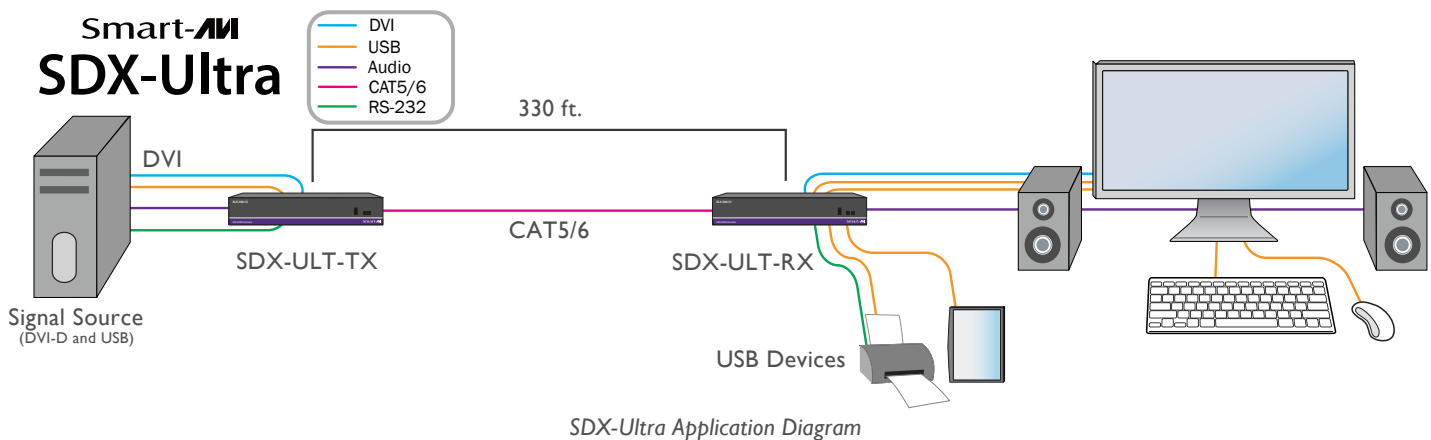
## WHAT IS THE SDX-ULTRA?

SDX-Ultra is a 4K ultra-HD video, USB 2.0,, stereo audio, RS-232, and keyboard-mouse signal extender enhanced with the HDBaseT technology, sending signals up to 330 feet (100m) away using CAT5/6 cables.

SDX-Ultra is the first extender on the market to feature 4K, USB, and full KVM extension on one cohesive system. Its DVI and HDMI-adaptable 4K (3840x2160 @ 60Hz) video output is optimized for HD monitors with crystal-clear picture excellent for detail-driven work.

SDX-Ultra extends keyboard-mouse signals for remote workflow management and offers uninterrupted emulation from the user's transmitter unit. This uninterrupted emulation prevents accidental disconnection or deactivation issues during mission critical operation.

SDX-Ultra's unparalleled KVM emulation makes it the perfect solution for server extension in applications ranging from data processing to interactive conferencing.



One of our most comprehensive extension solutions available, SDX-Ultra also features stereo audio, USB 2.0 device, and RS-232 signal transmission over a single CAT5/6 cable. Extend signals from peripheral USB devices like printers, scanners, and even desktop cameras by hundreds of feet. Send commands to RS-232 devices from a distance for real-time remote control. With SDX-Ultra, extending your digital reach is easy and accessible.

## EXTEND FOR ANY APPLICATION IN ANY ENVIRONMENT

SDX-Ultra is the perfect fit for a variety of working environments where system extension is a necessity. With full KVM emulation in incredible 4K resolution, SDX-Ultra makes for a great addition in:

- Data Centers
- Office Environments
- Conferencing Rooms
- Convention Centers
- Security Hubs
- Police Stations
- Point of Sale Retail Spaces
- Production & Recording Studios
- Control Rooms
- Home Office and Entertainment Suites



## EXTENDER UNITS



SDX-Ultra (TX) Front



SDX-Ultra (RX) Front



SDX-Ultra (TX) Back



SDX-Ultra (RX) Back

## SPECIFICATIONS

Video	
Format	DVI-D (HDMI-ready with adaptor)
HDTV Resolutions	480p, 720p, 1080i, 1080p/60Hz, 4K/60Hz
Video Bandwidth	Single-link 340MHz (10.2 Gbps)
Input Interface (TX)	(1) DVI-D 29-pin
Output Interface (RX)	(1) DVI-D 29-pin
Max Output Distance	1080p@60 100m (330ft) [CAT 5e] 4K2K@60 (4:2:0 8bit) 80m (264ft) [CAT 5e]
Equalization	Auto
Input TMDS Signal	1.2 Volts [peak-to-peak]
Input DDC Signal	5 Volts [peak-to-peak, TTL]
USB	
Format	USB 2.0
Keyboard-Mouse	1.1 with full emulation
Audio	
Format	Stereo
Input Interface	3.5 mm Jack Socket (Female)
Output Interface	3.5 mm Jack Socket (Female)

RS-232	
Format	Full duplex TXD,RXD signal
System	
Interface	RJ-45
Cable Requirements	CAT5/5e/6
Maximum Length	330 ft. (100m)
Other	
Power	100-240VAC/5VDC4A @ 20W
Dimensions	7.8"W x 1.15"H x 3.65"D per unit
Weight	1 lbs. (0.5 lbs per unit)
Approvals	UL, CE, ROHS Compliant
Operating Temp.	32 - 131°F ( 0-55°C)
Storage Temp.	-4 - 185°F (-20 - 85°C)
Humidity	Up to 95%

## ORDERING INFORMATION

Part No.	Description
SDX-ULT-S	4K SDX-Ultra Extender with USB 2.0 and HDBaseT. Includes:[SDX-ULT-TX, SDX-ULT-RX, 2x PS5V-4A]



Designed and Manufactured in the USA

[www.smartavi.com](http://www.smartavi.com)

Tel: 800.AVI.2131 • 818.503.6200 • 11651  
Vanowen St. North Hollywood, CA. 91605

**Smart-AVI**  
SMART AUDIO VIDEO INNOVATION