

DVS4P

4-PORT DVI SPLITTER



SUPPORTING TRADITIONAL ANALOGUE VGA AS WELL AS DIGITAL DVI

FEATURES

- Onboard DDC Learning and emulation
- Can learn any type of DDC
- Supports DVI-I Input(VGA or DVI)
- Supports DVI-I Output(VGA or DVI)
- Resolution up to maximum 1920 x 1200@60Hz
- Perfect picture quality on all resolutions
- Input Interface DVI-I (SingleLink)-VGA or DVI
- Output Interface DVI-I (SingleLink-VGA or DVI)

APPLICATIONS

- Test Bench Facilities
- Data Center
- Presentations
- Help Desks
- Server Rooms
- Industrial Floor



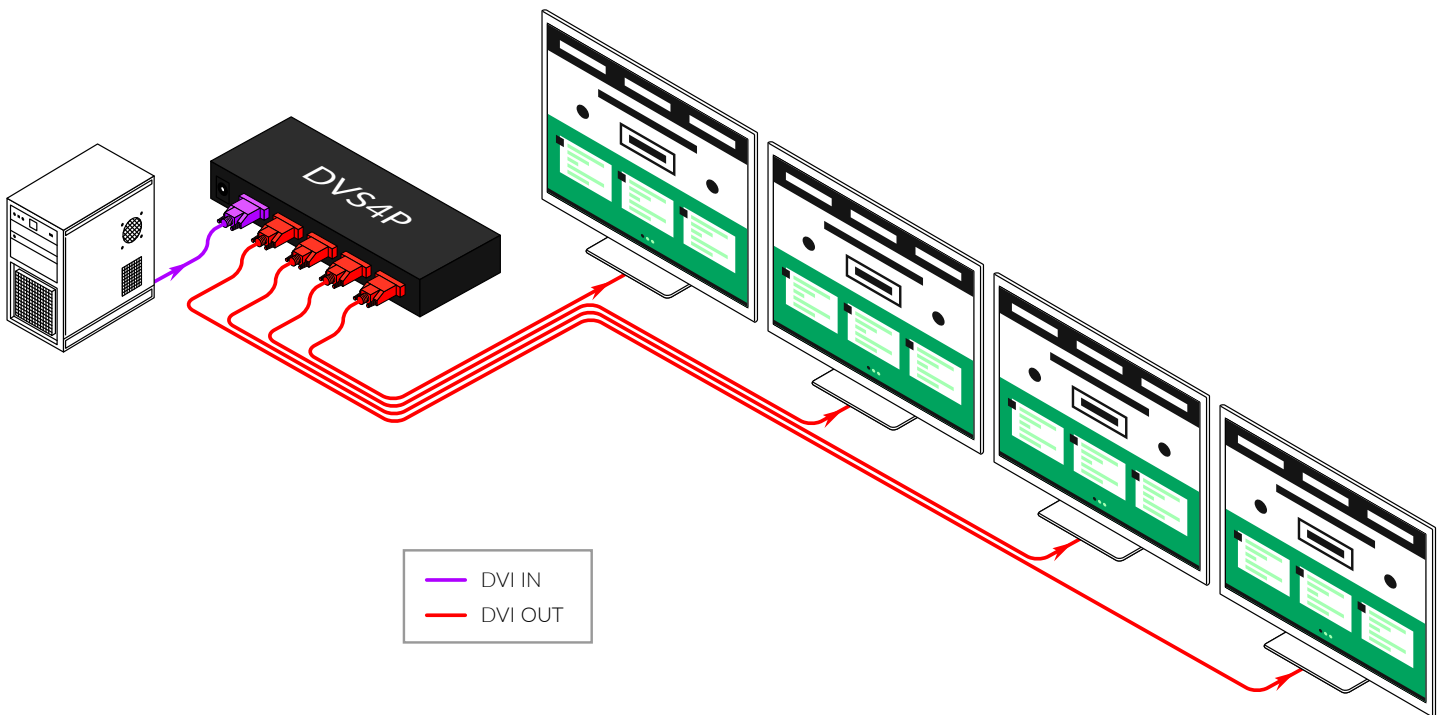
Designed and Manufactured in the USA

OVERVIEW

The DVS4P is a 4-port DVI splitter, which can send one DVI video source signal to four connected DVI monitors for identical displays.

The DVS4P is plug-and-play, meaning it is ready for immediate use upon connection to input-output devices and a power supply. Simply connect the splitter to a DVI source and four monitors, then power on the unit: your DVI video will display on monitors in stunning Full HD (1920x1200 @ 60Hz).

The DVS4P excels at creating quad-screen displays in a variety of settings and applications. Set up a DVS4P at bench testing facilities, data servers for better visualization of information, help desks for unified displays, and more!



EXTEND FOR ANY APPLICATION IN ANY ENVIRONMENT

SECURITY

When managing content in high-security environments, creating a safe and secure control room is critical. In the vast majority of such applications, that requires routing signals from a server room, where the computers are safely stored, to a control room, where approved personnel access the data and video feeds. Whether that's in a security surveillance center, an operations control room or some other security-related environment, being able to extend video, audio and USB is a must.

The DVS4P provides system architects with the flexibility they need to create secure environments for servers as well as the end users accessing those computers. And with video signal extension, users can manage their connected computers with expanded display options, enabling them to stay in control of their content at all times.

DIGITAL SIGNAGE

Managing a multi-screen digital signage solution requires some important foresight regarding the signal path to those informative and attractive displays. Particularly when it comes to properly scheduled, updated and managed content being displayed, it's much more efficient to keep all of the digital signage hardware in one central location and to extend the video signals out from there.

That means signal extension is an important part of a smart digital signage solution, and the DVS4P gives users the flexibility they want and need to place their digital signage screens in the right locations to maximize their effectiveness.

AUDIO AND VISUAL RECORDING

For users in the recording arts, maintaining the utmost in signal and recording fidelity is an absolute necessity. For video recording, it is often important that no unsightly computers are visible. Similarly, audio engineers must keep noisy computers away from the rooms where recording happens to ensure the final product sounds professional. In both such instances, the DVS4P gives users the ideal way to keep their servers or computers away from areas that audio or video recording is being done, ensuring a better final product.

EXTENDER UNITS



DVS4P Front



DVS4P Back

TECHNICAL SPECIFICATIONS

VIDEO	
Format	DVI
Input Interface	(1) DVI
Output Interface	(4) DVI
Resolution	Up to 1920 x 1200 60 Hz
Cable Distance to Monitor	Up to 10 m

OTHER	
Power	AC 100V~240V/50~60Hz
Dimensions	7.38" L x 3.56" W x 1.56" H
Weight	.65 lbs
Operating Temperature	+32 to +104°F (0 to +40°C)
Storage Temperature	-4 to 140°F (-20 to +60°C)
Humidity	Up to 95% (non-condensing)

PART NO.	DESCRIPTION
DVS4P-S	4-Port DVI Splitter. Includes [DVS4P-S and PS5VDC2A]

www.smartavi.com

Tel: (800) AVI-2131 • (702) 800-0005
2455 W Cheyenne Ave, Suite 112
North Las Vegas, NV 89032

Smart-AVI
SMART AUDIO VIDEO INNOVATION