

# LDX-PLUS

DVI, KVM AND AUDIO EXTENDER



LONG RANGE DVI-D, USB KEYBOARD AND MOUSE, RS-232 AND AUDIO EXTENDER UP TO 245 FT

## FEATURES

- Extends DVI-D up to 245 feet from the Source
- Data Recovery for Digital Video
- Supports up to 1920 x 1200 Digital Video Resolution (@ 60Hz)
- Supports up to 4K/2K (3840 x 2160) Video Resolution (@ 30Hz)
- Automatic DDC Learning
- Supports USB Keyboard and Mouse
- RS-232 Extension Enables Remote Control
- External Power Adapter for Transmitter and Receiver Unit
- Plug-and-Play Ready

## APPLICATIONS

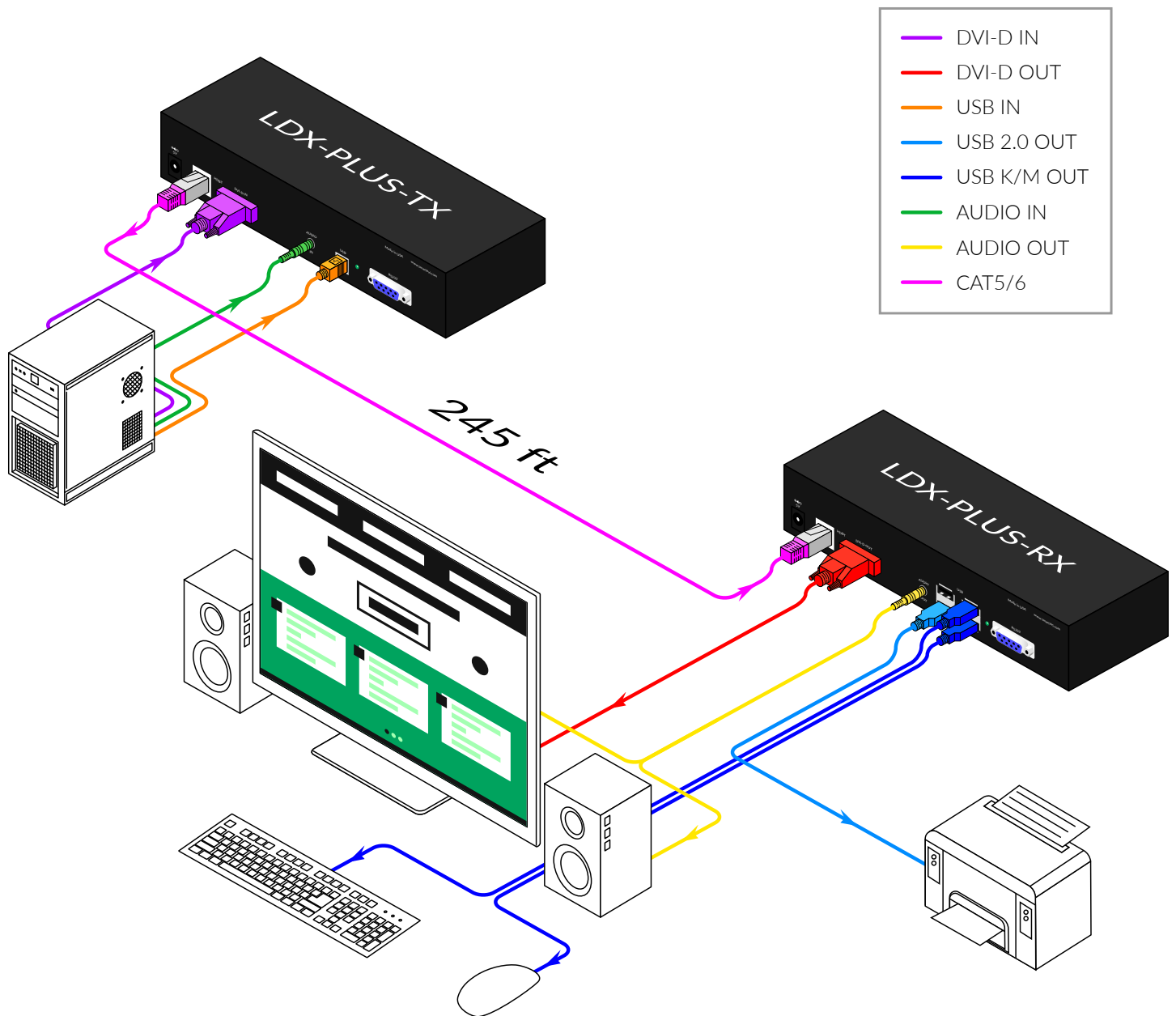
- Digital Signage
- Security
- PC Networking
- Conference Center Systems
- Point of Sale
- Camera Surveillance
- Video Phone
- Control Room Systems
- Recording Studio
- PC KVM Extension



Designed and Manufactured in the USA

# OVERVIEW

The LDX-Plus DVI extender is capable of sending a DVI-D signal up to 245 feet over a single conventional and inexpensive Cat5e/6 cable. The LDX-Plus DVI also supports the extension of USB keyboard, USB mouse, and RS-232 signals, giving users the ability to control KVM functions remotely.



# REAL WORLD APPLICATIONS

## SECURITY

When managing content in high-security environments, creating a safe and secure control room is critical. In the vast majority of such applications, that requires routing signals from a server room, where the computers are safely stored, to a control room, where approved personnel access the data and video feeds. Whether that's in a security surveillance center, an operations control room or some other security-related environment, being able to extend video, audio and USB is a must.

The LDX-Plus provides system architects with the flexibility they need to create secure environments for servers as well as the end users accessing those computers. And with dual DisplayPort signal extension, users can manage their connected computers with expanded display options, enabling them to stay in control of their content at all times.

## DIGITAL SIGNAGE

Managing a multi-screen digital signage solution requires some important foresight regarding the signal path to those informative and attractive displays. Particularly when it comes to properly scheduled, updated and managed content being displayed, it's much more efficient to keep all of the digital signage hardware in one central location and to extend the video signals out from there.

That means signal extension is an important part of a smart digital signage solution, and the LDX-Plus gives users the flexibility they want and need to place their digital signage screens in the right locations to maximize their effectiveness.

## AUDIO AND VISUAL RECORDING

For users in the recording arts, maintaining the utmost in signal and recording fidelity is an absolute necessity. For video recording, it is often important that no unsightly computers are visible. Similarly, audio engineers must keep noisy computers away from the rooms where recording happens to ensure the final product sounds professional. In both such instances, the LDX-Plus gives users the ideal way to keep their servers or computers away from areas that audio or video recording is being done, ensuring a better final product.

# EXTENDER UNITS



LDX-Plus-TX Front



LDX-Plus-TX Back



LDX-Plus-RX Front



LDX-Plus-RX Back

# TECHNICAL SPECIFICATION

VIDEO	
Format	DVI-D Single Link
Maximum Pixel Clock	165 MHz
Input Interface (TX)	(1) DVI-D 29-pin (Female)
Output Interface (RX)	(1) DVI-D 29-pin (Female)
Resolution	Up to 1920 x 1200 @ 60Hz, Up to 4K/2K (3840x2160) @ 30Hz
DDC	5 volts p-p (TTL)
Input Equalization	Automatic
Input Cable Length	Up to 20 ft.
Output Cable Length	Up to 20 ft.

USB	
Signal Type	OHCI/UHCI (USB 1.1)
Input Interface (TX)	(1) USB Type B (Female)
Output Interface (RX)	(4) USB Type A (Female)

RS-232	
Input Interface (TX)	(1) DB9 (Female)
Output Interface (RX)	(1) DB9 (Female)
Speed	@ 115 Kbps

AUDIO	
Frequency	30KHz to 80KHz
Input Interface (TX)	(1) 3.5mm (Female)
Output Interface (RX)	(1) 3.5mm (Female)

OTHER	
Power	External 100-240 VAC/5VDC4A
Dimensions	8.25" W x 1" H x 3.625" D
Weight	1 lb
Operating Temperature	0-55 °C (32-131°F)
Storage Temperature	-20-85 °C (-4-185 °F)
Humidity	Up to 95%

PART NO.	DESCRIPTION
LDX-Plus-S	DVI-D, USB and RS232 over CAT5/5e/6 Extender, up to 70 meters. Includes: [LDX-Plus-TX-S, LDX-Plus-RX-S, 2 X (PS5VD4A-WMT)]
LDX-Plus-TX-S	DVI-D, USB and RS232 over CAT5/5e/6 UTP Transmitter. Includes: [LDX-Plus-TX-S, PS5VD4A-WMT]
LDX-Plus-RX-S	Single Head DisplayPort, USB 2.0, Audio, CAT5/5e/6 Receiver. Includes: [LDX-Plus-RX-S, PS5VD4A-WMT]