

# USB2PRO

## USB 2.0 EXTENDER OVER CAT5



**EXTENDS USB 2.0 UP TO 300 FEET OVER CAT5 CABLE**

### FEATURES

- Supports all USB 2.0 and 1.1 Devices Transparently (Flash Drives, Printers, Cameras, Scanners, etc.)
- Supports USB 1.1 keyboard and mouse
- Works on Windows, Mac and Linux Operating Systems
- Integrated Four-Port Hub
- Bus-Powered Local Unit
- Power Adaptor for Remote Unit
- Plug-and-Play

### APPLICATIONS

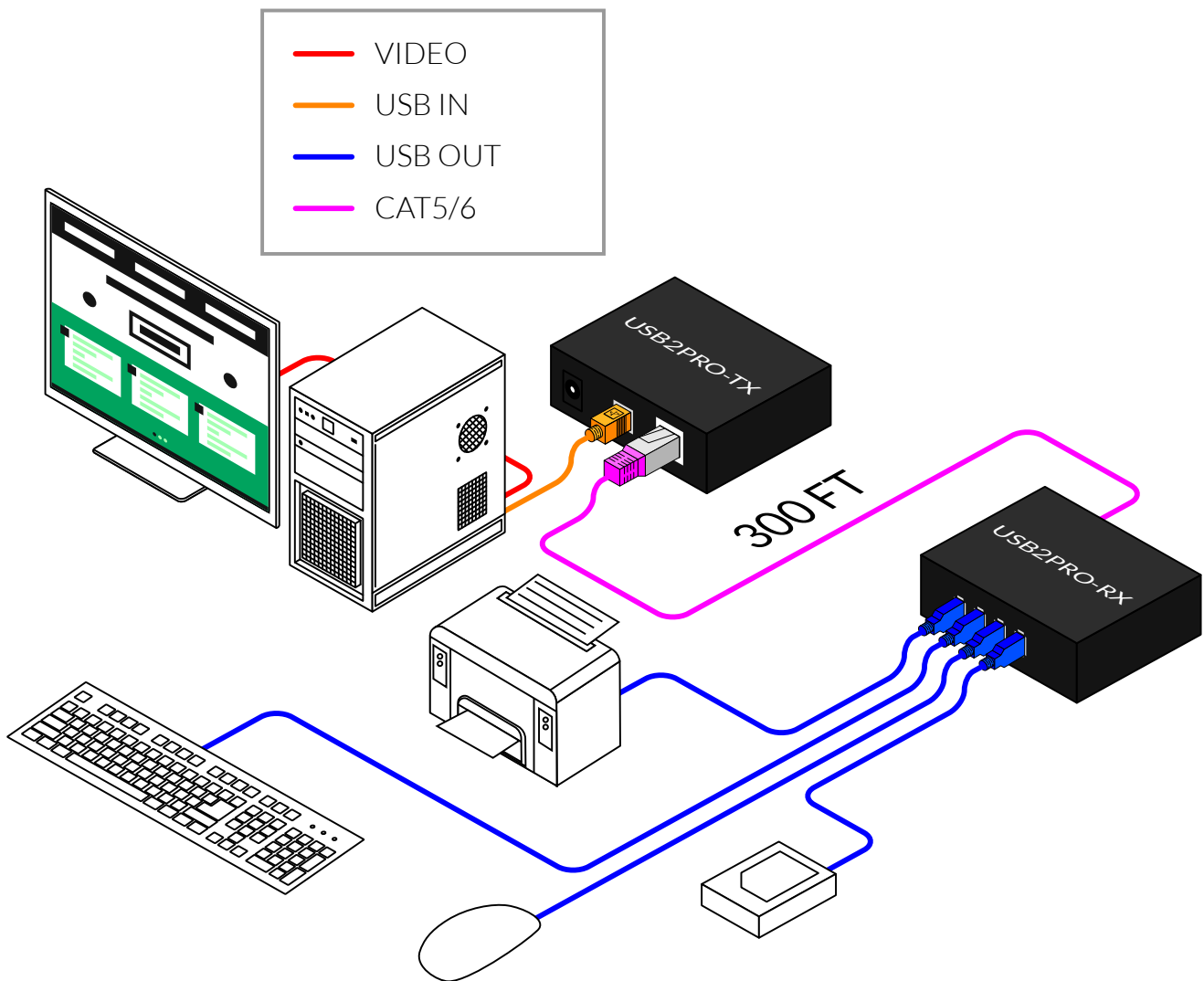
- Digital Signage
- Home Networking
- Remote USB Connections
- USB Device Sharing
- Webcam
- USB Electronics Devices
- Security Systems
- KVM Extension



Designed and Manufactured in the USA

# OVERVIEW

SmartAVI's USB2Pro extends standard USB (Universal Serial Bus) 2.0 signals up to 300 feet using a single CAT5 cable. The USB2Pro supports all USB 2.0 high-speed devices, from keyboards to digital cameras and will operate on Windows®, Mac and Linux® operating systems. An integrated four-port hub allows for multiple devices to be connected to the USB2Pro at once. Additional USB hubs can be added, increasing the amount of devices that can be plugged into the USB2Pro.



# EXTEND FOR ANY APPLICATION IN ANY ENVIRONMENT

## **SECURITY**

When managing content in high-security environments, creating a safe and secure control room is critical. In the vast majority of such applications, that requires routing signals from a server room, where the computers are safely stored, to a control room, where approved personnel access the data and video feeds. Whether that's in a security surveillance center, an operations control room or some other security-related environment, being able to extend video, audio and USB is a must.

The USB2Pro provides system architects with the flexibility they need to create secure environments for servers as well as the end users accessing those computers. And with video signal extension, users can manage their connected computers with expanded display options, enabling them to stay in control of their content at all times.

## **DIGITAL SIGNAGE**

Managing a multi-screen digital signage solution requires some important foresight regarding the signal path to those informative and attractive displays. Particularly when it comes to properly scheduled, updated and managed content being displayed, it's much more efficient to keep all of the digital signage hardware in one central location and to extend the video signals out from there.

That means signal extension is an important part of a smart digital signage solution, and the USB2Pro gives users the flexibility they want and need to place their digital signage screens in the right locations to maximize their effectiveness.

## **AUDIO AND VISUAL RECORDING**

For users in the recording arts, maintaining the utmost in signal and recording fidelity is an absolute necessity. For video recording, it is often important that no unsightly computers are visible. Similarly, audio engineers must keep noisy computers away from the rooms where recording happens to ensure the final product sounds professional. In both such instances, the USB2Pro gives users the ideal way to keep their servers or computers away from areas that audio or video recording is being done, ensuring a better final product.

## EXTENDER UNIT



USB2PRO-TX Front



USB2PRO-TX Back



USB2PRO-RX Front



USB2PRO-RX Back

# TECHNICAL SPECIFICATIONS

USB	
Signal Type	USB 2.0
Input Interface (TX)	(1) USB Type B (Female)
Output Interface (RX)	(4) USB Type A (Female)

OTHER	
Power	External 100-240 VAC/5VDC2A
Dimensions	3.625" W x 1" H x 3" D
Weight	1.5 lb
Operating Temperature	0-55 °C (32-131°F)
Storage Temperature	-20-85 °C (-4-185 °F)
Humidity	Up to 95%

PART NO.	DESCRIPTION
USB2PRO-S	USB 2.0 over CAT5 Extender. Includes: [USB2PRO-TX-S, USB2PRO-RX-S and 2 x (PS5VD2A)]
USB2PRO-TX-S	USB 2.0 over CAT5 Transmitter. Includes: [USB2PRO-TX-S and PS5VD2A]
USB2PRO-RX-S	USB 2.0 over CAT5 Receiver. Includes: [USB2PRO-RX-S and PS5VD2A]

[www.smartavi.com](http://www.smartavi.com)

Tel: (800) AVI-2131 • (702) 800-0005  
2455 W Cheyenne Ave, Suite 112  
North Las Vegas, NV 89032

**Smart-AVI**  
SMART AUDIO VIDEO INNOVATION