

HDX-XT

4K VIDEO AND USB 2.0 KVM EXTENDER



HDMI USB KVM EXTENDER OVER CAT5E/6

FEATURES

- Zero pixel loss with TMDS signal correction
- Full HD Support: 1080p @60Hz @24/26/48bit/pixels
- Extends a signal over a single CAT5e/6/7 cable up to 100m/330ft
- Supports USB 2.0 Control
- Supports Bi-Directional SPDIF IN/OUT and available for multi-channel audio
- Fully compliant with HDMI 1.4 and compatible with HDMI 2.0
- DTS-HD Master Audio and More
- Transfer Bidirectional Infrared control signal together with HDMI signal

APPLICATIONS

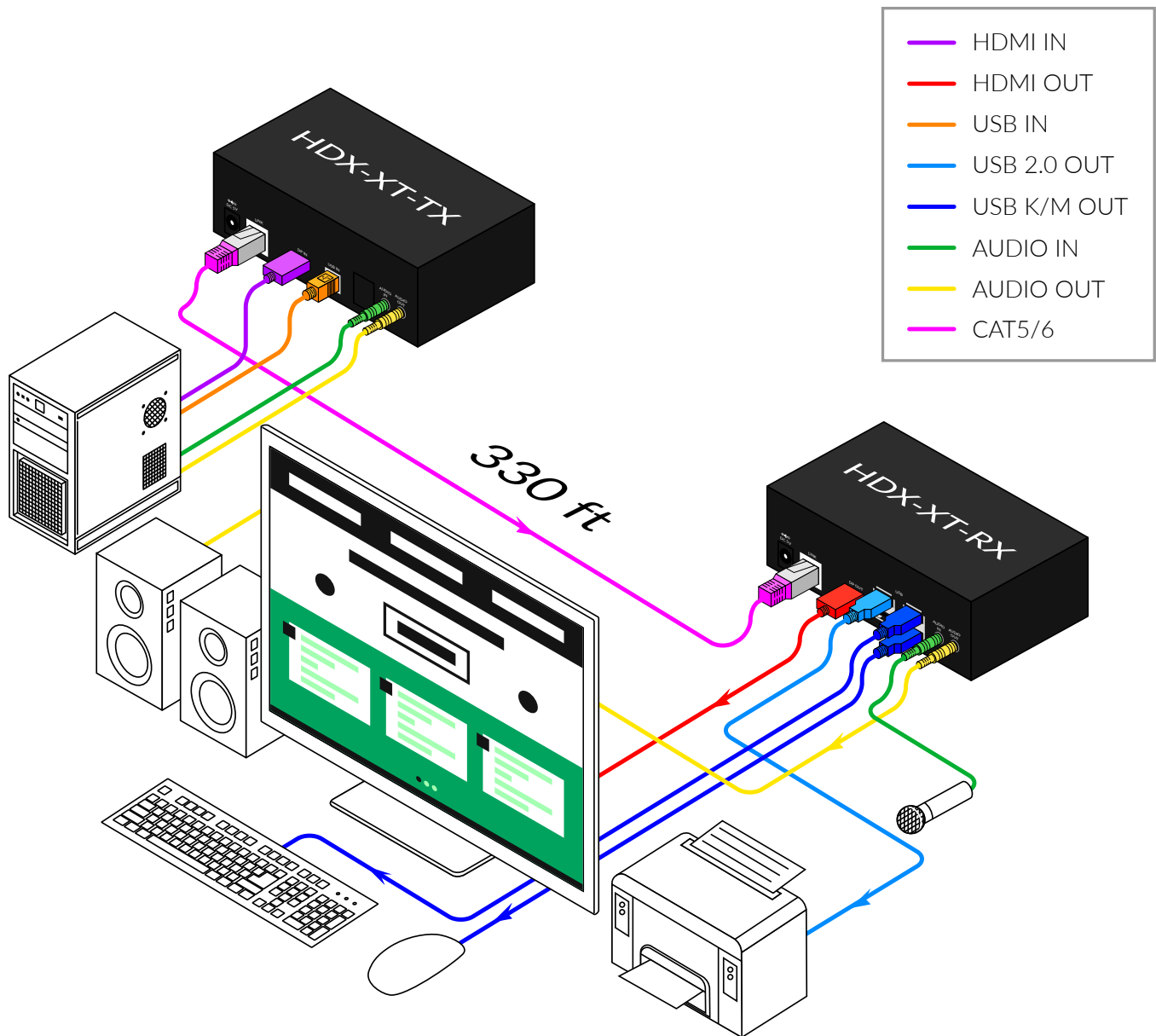
- Digital Signage
- Education
- Airports
- Control Rooms
- Audio/Visual Presentations
- Shopping Centers
- Hotels/Resorts
- ...and MANY more



Designed and Manufactured in the USA

OVERVIEW

The HDMI USB KVM (Keyboard, Video, Mouse) Extender is a tool which can extend your HDMI signal over 330ft/100m to a compatible display. It is designed to convert HDMI signal to standard signal which can be transmitted by CAT5e/CAT6/CAT7 cable. It also supports Transfer Bidirectional Infrared control signal and RS232 control signal. The HDX-XT also supports the connection of a USB host and 2 USB device ports.



EXTEND FOR ANY APPLICATION IN ANY ENVIRONMENT

SECURITY

When managing content in high-security environments, creating a safe and secure control room is critical. In the vast majority of such applications, that requires routing signals from a server room, where the computers are safely stored, to a control room, where approved personnel access the data and video feeds. Whether that's in a security surveillance center, an operations control room or some other security-related environment, being able to extend video, audio and USB is a must.

The HDX-XT provides system architects with the flexibility they need to create secure environments for servers as well as the end users accessing those computers. And with video signal extension, users can manage their connected computers with expanded display options, enabling them to stay in control of their content at all times.

DIGITAL SIGNAGE

Managing a multi-screen digital signage solution requires some important foresight regarding the signal path to those informative and attractive displays. Particularly when it comes to properly scheduled, updated and managed content being displayed, it's much more efficient to keep all of the digital signage hardware in one central location and to extend the video signals out from there.

That means signal extension is an important part of a smart digital signage solution, and the HDX-XT gives users the flexibility they want and need to place their digital signage screens in the right locations to maximize their effectiveness.

AUDIO AND VISUAL RECORDING

For users in the recording arts, maintaining the utmost in signal and recording fidelity is an absolute necessity. For video recording, it is often important that no unsightly computers are visible. Similarly, audio engineers must keep noisy computers away from the rooms where recording happens to ensure the final product sounds professional. In both such instances, the HDX-XT gives users the ideal way to keep their servers or computers away from areas that audio or video recording is being done, ensuring a better final product.

EXTENDER UNITS



HDX-XT-TX Front



HDX-XT-TX Back



HDX-XT-RX Front



HDX-XT-RX Back

TECHNICAL SPECIFICATIONS

VIDEO	
Format	HDMI
Input Interface (RX)	(1) IR In, (1) Optical (Spdif In), (1) Extender, (1) USB-H
Output Interface (RX)	(1) HDMI, (1) LAN, (2) USB, (1) IR Out, (1) Audio Out, (1) RS-232, (1) Optical (Spdif out)
Input Interface (TX)	(1) HDMI, (1) LAN, (1) USB-H, (1) IR-IN, (1) RS-232, (1) Optical (Spdif in), (1) Audio In
Output Interface (TX)	(1) IR Out, (1) Optical (Spdif out), (1) Extender Out, (2) USB-D
Resolution	480p, 720p, 1080i, 1080p/60Hz, 4K/30Hz
Max Output Distance	1080p@60 100m (330ft) [CAT5/5e/6] 4K2K (4:2:0 8bit) 45m (148ft) [CAT5/5e/6]
Equalization	Auto
Input TMDs Signal	1.2 Volts [peak-to-peak]
Input DDC Signal	5 Volts [peak-to-peak, TTL]
Video Bandwidth	Single-Link 340 MHz (10.2 Gbps)

AUDIO	
Format	HDMI
Input Interface	3.5 mm Jack Socket (Female)
Output Interface	3.5 mm Jack Socket (Female)

USB	
Format	USB 2.0
Input Interface	1.1 with full emulation

RS-232	
Format	Full duplex TXD, RXD signal

SYSTEM	
Interface	RJ45
Cable Requirements	CAT5/5e/6
Maximum Length	330 ft (100m)

OTHER	
Power	DC 5V 3A
Dimensions	160 mm W x 97 mm D x 28 mm H
Weight	450 g
Approvals	UL, CE, ROHS Compliant
Operating Temperature	32 - 104°F (0-40°C)
Storage Temperature	-4 - 140°F (-20 - 60°C)
Humidity	Up to 95%

PART NO.	DESCRIPTION
HDX-XT-S	4K HDMI and USB 2.0 KVM Extender. Includes: [HDX-XT-TX-S, HDX-XT-RX-S, 2 x (PS5VD3A-WLLMNT)]
HDX-XT-TX-S	4K HDMI and USB 2.0 KVM Transmitter. Includes: [HDX-XT-TX-S and PS5VD3A-WLLMNT]
HDX-XT-RX-S	4K HDMI and USB 2.0 KVM Receiver. Includes: [HDX-XT-RX-S and PS5VD3A-WLLMNT]

www.smartavi.com

Tel: (800) AVI-2131 • (702) 800-0005
2455 W Cheyenne Ave, Suite 112
North Las Vegas, NV 89032

Smart-AVI
SMART AUDIO VIDEO INNOVATION