



DPX-1P-Plus

Extend DP Video, USB Keyboard and Mouse, Audio, and RS232 up to 328 feet (100m) over CAT5/5e/6 cable

OVERVIEW

The DPX-1P-Plus DisplayPort extender is capable of sending a DP signal up to 328 feet (100m) over a conventional and inexpensive CAT5/5e/6 cable. The technology is superior to standard extenders that require a special CAT6 shielded cable to go a short distance. The DPX-1P-Plus also has USB keyboard and mouse, audio, and RS-232 extension, giving users the ability to control displays or devices remotely.

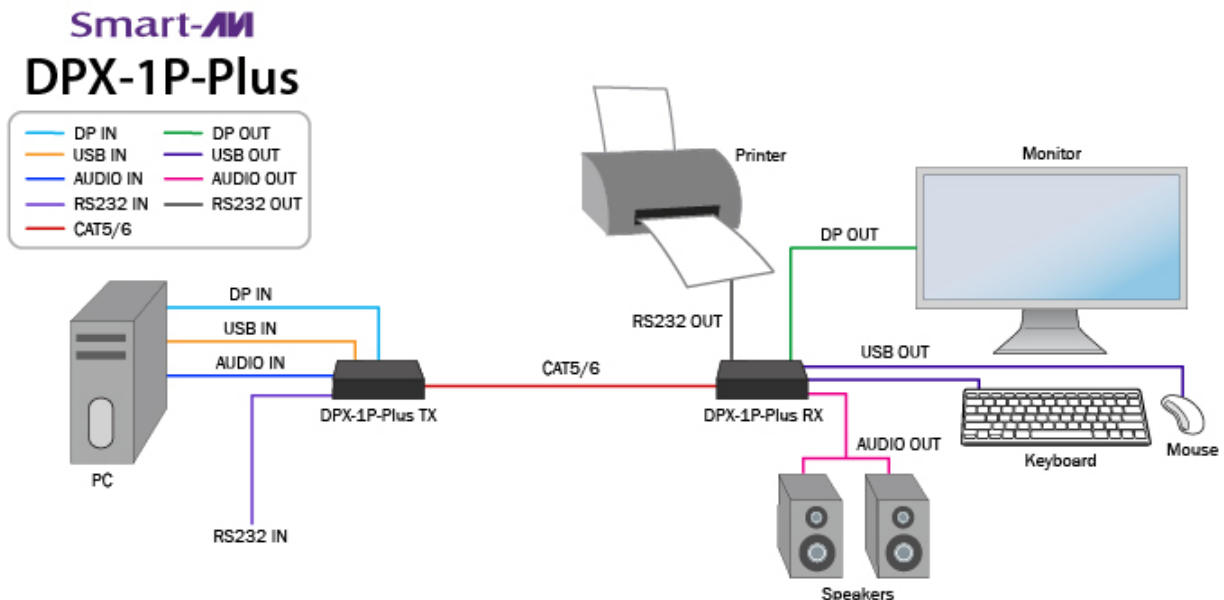
FEATURES

- Extend DisplayPort signals up to 328 feet (100m)
- Data recovery for digital video
- Supports 1080p (1920x1200 @ 60Hz)
- Supports up to 4K (3840x2160 @ 30Hz) video resolution
- Automatic EDID Learning
- USB Keyboard and Mouse
- Supports RS-232 extension
- External power adapter for transmitter and receiver unit
- Supports SST only (no MST support)
- Plug-and-play ready

APPLICATIONS

- Digital Signage
- Security
- PC Networking
- Conference Center Systems
- Point of Sale
- Camera Surveillance
- Video Phone
- Control Room Systems
- Recording Studio
- PC KVM Extension

APPLICATION DIAGRAM



SPECIFICATIONS



DPX-1P-Plus-RX Front



DPX-1P-Plus-TX Front



DPX-1P-Plus-RX Back




DPX-1P-Plus-TX Back

VIDEO	
Format	DisplayPort 1.2
Maximum Pixel Clock	275 MHz
Input Interface (TX)	(1) DP female
Output Interface (RX)	(1) DP female
Resolution	Up to 4K (3840x2160 @ 30Hz)
DDC	via AUX
Input Equalization	Automatic
Input Cable Length	Up to 15 ft
Output Cable Length	Up to 15 ft
AUDIO	
Frequency Response	30KHz to 80KHz
Input Interface (TX)	(1) 3.5 mm (Female)
Output Interface (RX)	(1) 3.5 mm (Female)

USB	
Signal Type	USB 1.1 and USB 2.0 Compatible
Input Interface (TX)	(1) USB Type B (Female)
Output Interface (RX)	(2) USB Type A (Female)
RS-232	
Input Interface (TX)	DB9 (Female)
Output Interface (RX)	DB9 (Female)
Flow Control	Software up to 115,000 Kbps
OTHER	
Power	External 100-240 VAC/5VDC4A @20W
Dimensions	9 in W x 2 in H x 3 in D
Weight	1.45 lb per TX/RX unit
Operating Temp.	0-55 °C (32-131°F)
Storage Temp.	-20-85 °C (-4-185 °F)
Humidity	Up to 95%

Part No.	Description
DPX-1P-Plus-S	DisplayPort, USB Keyboard/Mouse, RS232 and Audio over CAT5e/6 Extender. Includes: [DPX-1P-PLUS-TX, DPX-1P-PLUS-RX, and 2 x PS5VD4A-WLLMNT]
Optional Accessories	Description
SM-Rack	SmartRack 1U Universal Half Rack Shelf System. Includes: [SmartRack Shelf, 2 Slotted Mounting Brackets and Hardware.]
CCDPMMKVM-06	6 ft KVM USB DisplayPort Cable

 Designed and Manufactured in the USA