

TECHNICAL SPECIFICATIONS

VIDEO	
Format	DVI Dual Link
Host Interface	(4) DVI-D 29-pin (female)
User Console Interface	(2) DVI-D 29-pin (female)
Max Resolution	2560 x 1600 @ 60Hz
DDC	5 volts p-p (TTL)
Input Equalization	Automatic
Input Cable Length	Up to 20 ft.
Output Cable Length	Up to 20 ft.
USB	
Signal Type	USB 2.0, 1.1, and 1.0 w/ internal hub
Input Interface	(4) USB Type B
Output Interface	(2) USB 1.1 Type A for KVM Devices (2) USB 2.0 Type A Transparent
AUDIO	
Input	(4) Connector Stereo 3.5mm Female
Output	(1) Connector Stereo 3.5mm Female
POWER	
Power Requirements	12V DC, 3A power adapter with center-pin positive polarity
ENVIRONMENT	
Operating Temp	32° to 104° F (0° to 40° C)
Storage Temp	-4° to 140° F (-20° to 60° C)
Humidity	0-80% RH, non-condensing
CONTROL	
Front Panel	Push Buttons with LED indicators
RS-232	Via Serial @ 115200 bps
Hot Keys	Via Keyboard
OTHER	
Emulation	Keyboard, Mouse and Video

WHAT'S IN THE BOX

PART NO.	QTY	DESCRIPTION
QKVMPro	1	4-port, DVI-I Multiviewer KVM Switch
PS12VDC3A	1	12V DC, 3A power adapter with center-pin positive polarity.
	1	Quick Start Guide

NOTICE

The information contained in this document is subject to change without notice. SMART-AVI makes no warranty of any kind with regard to this material, including but not limited to, implied warranties of merchantability and fitness for particular purpose. SMART-AVI will not be liable for errors contained herein or for incidental or consequential damages in connection with the furnishing, performance or use of this material. No part of this document may be photocopied, reproduced, or translated into another language without prior written consent from SMART-AVI, Inc.

20170518



Toll Free: (800) AVI-2123

Phone: (702) 800-0005

2455 W. Cheyenne Ave, Suite 112
North Las Vegas, NV 89032

smartavi.com

Smart-AVI
SMART AUDIO VIDEO INNOVATION

QKVMPro

4-Port DVI-D Multiviewer & KVM Switch with Dual Video Outputs



4-port DVI-D Multiviewer & KVM Switch with Audio, USB 2.0, and Preview Screen

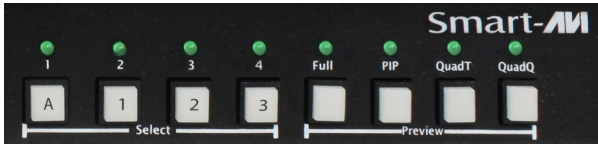
Quick Start Guide

A full Manual can be downloaded from
www.smartavi.com/QKVMPro/

EDID LEARN

The QuadKVMPro has 3 preset EDIDs that can be triggered from the front panel by pressing:

- **A** and **1** simultaneously will invoke IPG - DVI
- **A** and **2** simultaneously will invoke IPG - HDMI
- **A** and **3** simultaneously will invoke IPG - HDMI+



SYSTEM CONTROL

There are four ways to control the QKVMPro: Keyboard HotKeys, RS-232 Serial Commands, OSD Menu and Front Panel Buttons.

The settings for the serial connection are as follows:
Baud rate: **115200**; Data Bits: **8**; Parity: **None**; Stop Bits: **1**; Flow Control: **None**.

The following commands can be used:

Command	HotKey	RS-232
Switch KVM	[CT] [CT] m [#]<CR>	// m [#]<CR>
Full Screen	[CT] [CT] f [#]<CR>	// f [#]<CR>
PiP	[CT] [CT] p [a][b]<CR>	// p [a][b]<CR>
T-Quad	[CT] [CT] t [#]<CR>	// t [#]<CR>
Quad	[CT] [CT] q <CR>	// q <CR>
Audio Only	[CT] [CT] a [#]<CR>	// a [#]<CR>
KM Only	[CT] [CT] c [#]<CR>	// c [#]<CR>
USB Only	[CT] [CT] u [#]<CR>	// u [#]<CR>
Learn EDID	[CT] [CT] e <CR>	// e <CR>
SW Reset	[CT] [CT] r	// r <CR>
Status Query	N/A	// ?? <CR>

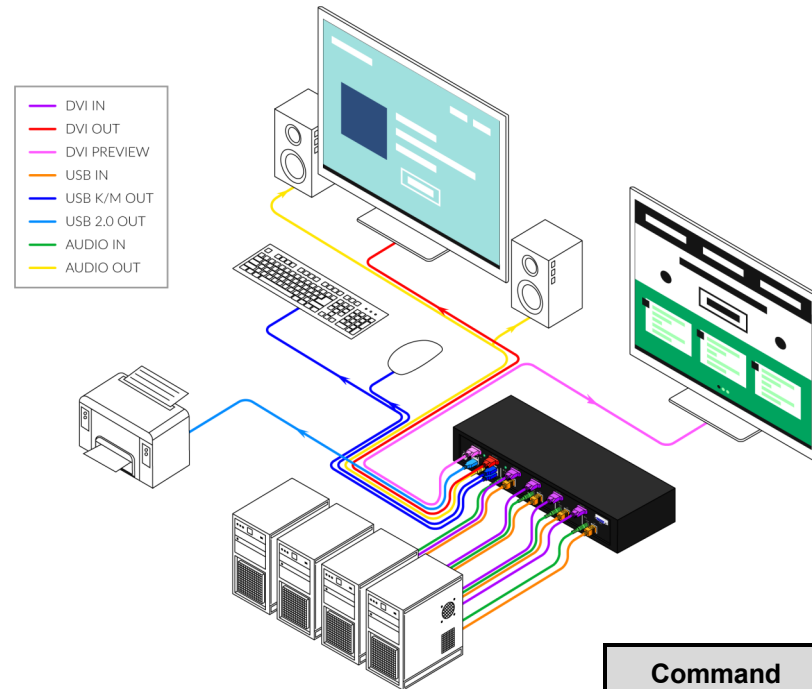
Chart Key

[CT] = Ctrl

<CR> = Carriage Return (Enter Key)

HARDWARE INSTALLATION

1. Ensure that power is turned off or disconnected from the unit and the computers.
2. Use DVI cables to connect the DVI output ports from each computer to the corresponding DVI-I IN ports of the unit.
3. Use a USB cable (Type-A to Type-B) to connect a USB port on each computer to the respective USB ports of the unit.
4. Optionally connect a stereo audio cable (3.5mm to 3.5mm) to connect the audio output of the computers to the AUDIO IN ports of the unit.
5. Connect monitors to the DVI-I OUT console ports of the unit using DVI cables.
6. Connect a USB keyboard and mouse in the two USB console ports.
7. Optionally connect stereo speakers to the AUDIO OUT port of the unit.
8. Finally, power on the KVM by connecting a 12VDC power supply to the power connector, and then turn on all the computers.



OSD MENU

Important: When in OSD Menu, all keyboard and mouse functionality will be blocked from the computer and only used for the OSD commands. After exiting the OSD menu, all keyboard and mouse functionality will be restored.

NOTE: When entering one of the Function commands, the Enter Key must be pressed for the function to take effect

Command	HotKey
OSD ON/OFF	[CT] [CT] o <CR>
OSD UP	↑ (UP arrow)
OSD DOWN	↓ (DOWN arrow)
OSD LEFT	← (LEFT arrow)
OSD RIGHT	→ (RIGHT arrow)
OSD Enter	[ENTER]
OSD Esc	[ESC]