

DV-SW8-P

8 PORT DVI-I AUDIO VIDEO SWITCH WITH SERIAL CONTROL



ACCESS UP TO 8 DVI, VGA OR HDMI COMPUTERS FROM A SINGLE MONITOR

FEATURES

- DVI-I Dual Link Video Connectors; can mix DVI Dual-Link, DVI Single-Link and VGA Computers
- HDMI and VGA support using inexpensive passive adapters or cables
- Supports all major Operating Systems like Windows, Mac, Linux, Sun, Unix, DOS, etc.
- Supports resolutions up to 2560x1600 @ 60Hz
- Zero pixel loss with TMDS signal correction
- Rack mountable in a standard 19 inch rack
- Flash upgradeable firmware
- Stereo Audio support
- Front panel keys for manual port selection
- RS-232 for remote control

APPLICATIONS

- Server Collocation
- Digital Signage
- Education
- Airports
- Dealer Rooms
- Control Rooms
- Audio/Visual Presentations
- Shopping Centers
- Hotels/Resorts



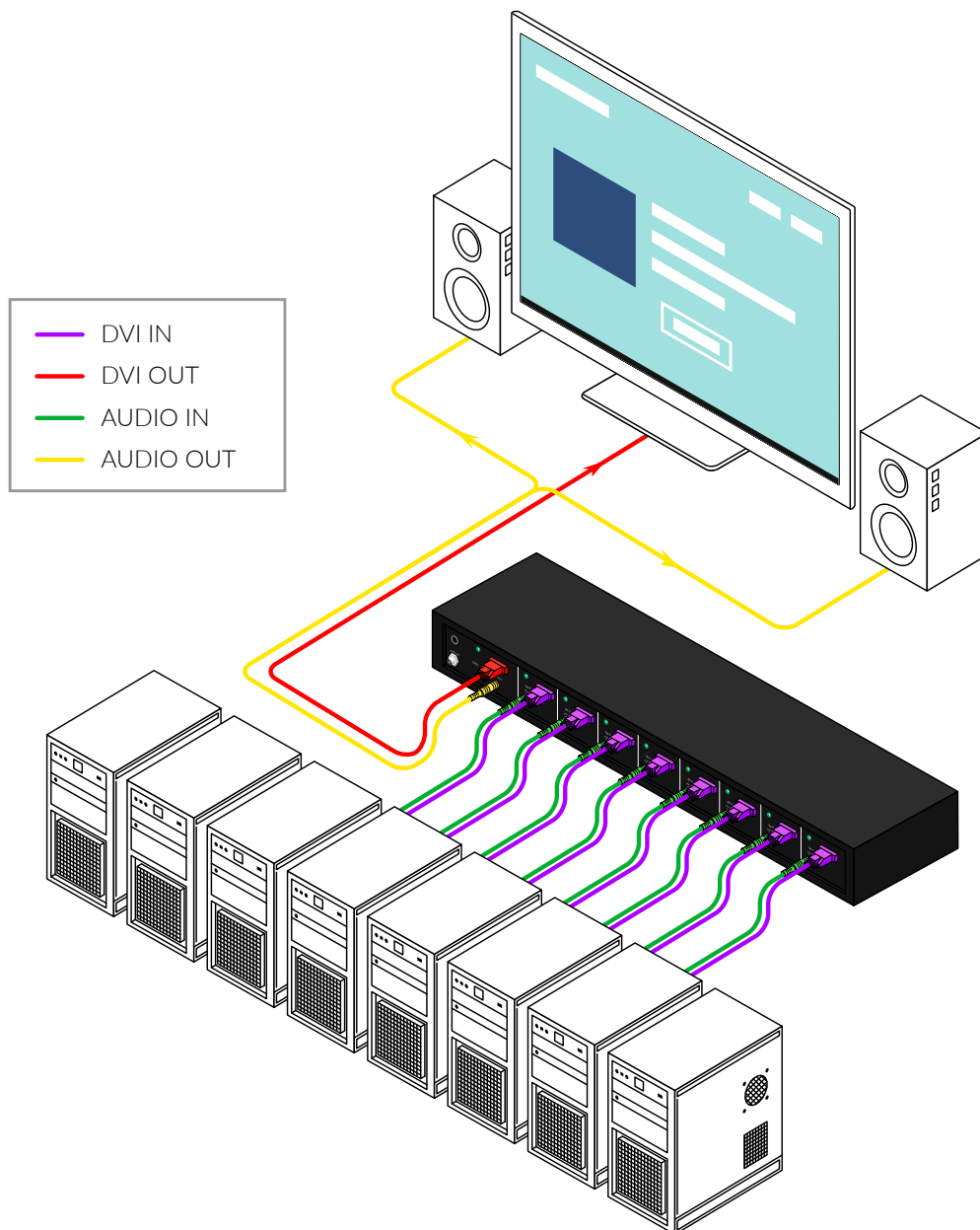
Designed and Manufactured in the USA

OVERVIEW

The DV-SW8-P is a dedicated multi-platform switch capable of managing up to 8 different computers through a single monitor and a set of speakers. The video connectors on the unit are DVI-I, which allows support for HDMI and VGA using inexpensive passive adapters or cables. When using a DVI or an HDMI monitor, computers can be a mix of either DVI or HDMI. When utilizing a VGA monitor, all computers must have a VGA/Analog video connection.

The DV-SW8-P supports resolutions of up to 2560 x 1600 @ 60 Hz with zero pixel loss from TMDS signal correction.

APPLICATION DIAGRAM



FLEXIBLE CONTROL

RS-232

Any external device or program supporting RS-232 can control the DV-SW8-P. The DV-SW8-P uses a very simple protocol, enabling easy integration with the RS-232 control devices.



DV-SW8-P Back



DV-SW8-P Front

TECHNICAL SPECIFICATIONS

VIDEO	
Format	DVI Dual Link; DVI Single-Link; VGA
Maximum Pixel Clock	165 MHz
Input Interface	(8) DVI-I 29-pin
Output Interface	(1) DVI-I 29-pin
Resolution	DVI Dual-Link: 2560 x 1600; DVI Single-Link: 1920 x 1200; VGA: 1920 x 1080
Color Mode	24-bit
DDC	5 volts p-p (TTL)
Input Equalization	Automatic
Input Cable Length	Up to 20 ft.
Output Cable Length	Up to 20 ft.
Data Rate	1.65 Gbps per color
Console Monitors	Supports both digital and analog monitors

AUDIO	
Input Interface	(8) 3.5 mm Stereo Audio
Output Interface	(1) 3.5 mm Stereo Audio
Impedance	600 Ohm
Frequency Response	20 Hz to 20 kHz
Nominal Level	0-1.0 V
Common Mode	Rejection at 60 dB

PART NO.	DESCRIPTION
DV-SW8-P-S	8-Port DVI-I Dual Link Switch with Audio. Includes: [DV-SW8-P, CCRS2323.5MM06 and PS12VD2A-WLLMNT]

SOFTWARE COMPATIBILITY	
Operating Systems	Operates with virtually any OS including Windows, DOS, Linux, Unix, Sun, Mac, etc.

CONTROL	
Front Panel	Push Buttons with LED Indicators
RS-232	Via Control @ 9600 bps

OTHER	
Power	External 100-240 VAC/ 12VDC3A @ 36W
Dimensions	17.0" W x 1.76" H x 8.69" D
Weight	6.3 lbs
Approvals	UL, CE, ROHS Compliant
Operating Temperature	+32 to +104°F (0 to +40°C)
Storage Temperature	-4 to 140°F (-20 to +60°C)
Humidity	Up to 80% (No Condensation)

www.smartavi.com

Tel: (800) AVI-2131 • (702) 800-0005
2455 W Cheyenne Ave, Suite 112
North Las Vegas, NV 89032

Smart-AVI
SMART AUDIO VIDEO INNOVATION