

# QKVM4K

## 4X2 MULTIVIEWER KVM SWITCH



### ULTRA-HD QUADRUPLE VIEW KVM SWITCH 4-PORT HDMI, USB 2.0 KVM SWITCH WITH MULTIVIEW PREVIEW SCREEN TO VIEW ALL 4 VIDEO SOURCES SIMULTANEOUSLY

## FEATURES

- View up to four computers on the multiview preview screen at the press of a button
- View and control any computer on the main video/monitor output of the unit
- Supports USB keyboard and mouse
- Features USB 2.0 ports to connect additional USB devices like printers, cameras, USB drives, etc.
- On-screen display (OSD) makes setup and switching easy
- Change views by pressing the tact switches, keyboard hotkeys, and via RS-232 commands
- Display each computer in clean and crisp high resolution video
- Supports HDMI resolutions of up to 3840 x 2160 @ 30Hz
- Quad-mode splits the preview screen to show all 4 computers simultaneously
- Dual-mode splits the preview screen to show two computers at the same time
- PiP-mode displays one computer in full screen with three thumbnail views
- User-defined frame rate for each input

## APPLICATIONS

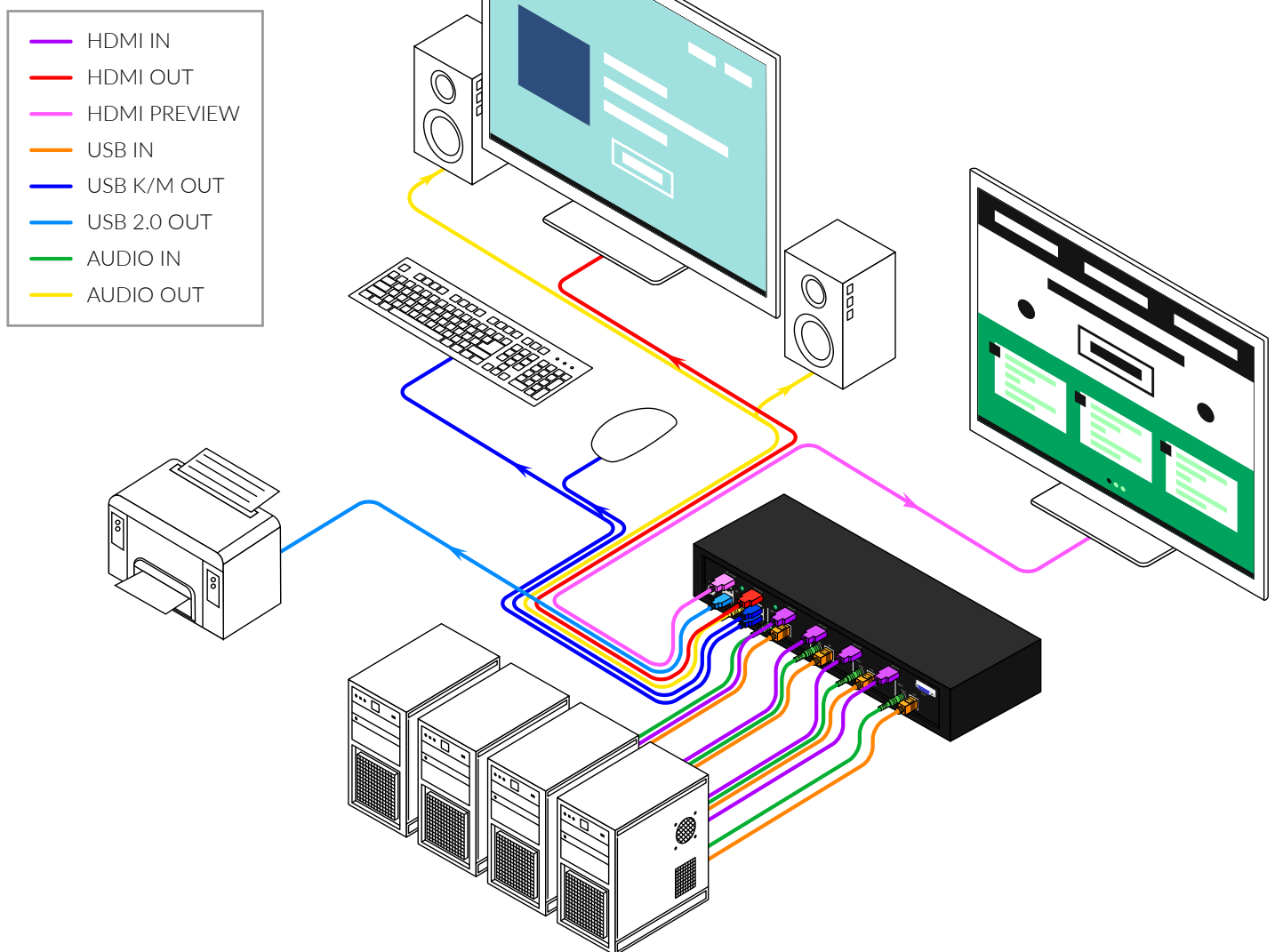
- Corporate or Educational Presentations
- Financial (Remote Servers/User Control)
- Call Centers for Technical Support
- Industrial (Long-Range Workstation Isolation)
- Airport Installations (Air Traffic Control/Passenger Information)
- KVM Extension where Exceptional Quality of Signal is Crucial
- Medical (Remote Operation Away from Sensitive/Magnetic Equipment)
- Recording (for Large Studios where Editing/Mixing Stations are Compact and/or Require Complete Silence)



Designed and Manufactured in the USA

# APPLICATION DIAGRAM

The QKVM4K can be used in many applications that require the real-time monitoring of multiple computers. It is a perfect solution in situations where a user needs to monitor several computers at the same time. In Air Traffic Control environments, several computers need to be monitored for the progress of flights and flight information. The QKVM4K is perfect for multitasking, allowing the user to run tasks on each computer and monitor their progress without having to switch back and forth between them.



# FEATURES

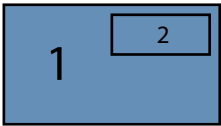
## Quadruple View KVM Switch

The QKVM4K features two monitor outputs; one is the standard KVM Switch video output that displays the selected computer to be controlled via the USB Keyboard/mouse. The other is a Preview screen which allows you to view up to all four video inputs connected to the unit. Connections to video sources are managed via HDMI connectors. Advanced viewing options on the Preview Screen include dual mode, quad-mode, full-screen mode and PIP (picture in picture) mode.

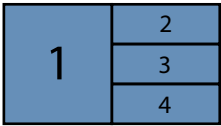
### Preview Screens



**FULL SCREEN MODE:** In the Full Screen mode, one of the four computers is displayed in full screen size and maximum resolution



**PIP MODE:** PIP mode is fixed in size and position; the full screen displays one of the four video sources, and a smaller image (thumbnail) containing another video source on the right-hand margin of the screen allows for simultaneous monitoring



**QUADT MODE:** In the QuadT mode, the full screen display of one of the four video sources is accompanied by one or three small images (thumbnails) containing the other video sources on the righthand margin of the screen allowing simultaneous monitoring

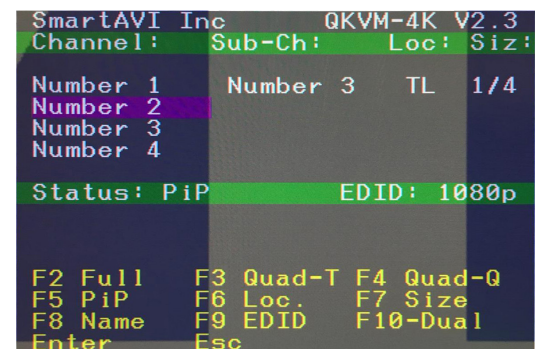


**DUAL-MODE:** In Dual mode, the screen is split into two fields of equal size with the screen content of two video sources or computers being displayed in each of these fields



**QUADQ-MODE:** In Quad mode, the screen is split into four fields of equal size with the screen content of four video sources or computers being displayed in each of these fields

**SIMPLE OPERATION:** Switching between the display modes is simple: Use the buttons on the front panel, the programmable keyboard hotkeys, RS-232 commands or use the built-in on screen display (OSD). The OSD is accessible at the press of a button, and features controls for all of the QKVM's functions. The QKVM4K is easily programmable through the setup function of the OSD.



Screenshot of the QKVM's OSD

# TECHNICAL SPECIFICATIONS



QKVM4K Front



QKVM4K Back

VIDEO	
Resolution HDTV	720i, 720p, 1080i, 1080p, 2K, 4K
PC Resolution	800 x 600 up to 3840 x 2160 @ 30Hz
Input Video Signal	1.2 volts
Input DDC Signal	5 volts
Format	HDMI
HDCP Compliance	1.0/2.0
Input Interface	(4) HDMI
Output Interface	HDMI
Connector	Type A [19-pin female]

USB	
Input	USB 2.0, 1.1, and 1.0
Input Interface	(4) USB Type B
Keyboard	USB 1.0 (Type A)
Mouse	USB 1.0 (Type A)
CONTROL	
Front Panel	Tact Switches
RS-232	DB9 (female)
OTHER	
Power	External 100-240 VAC/12VDC3A @ 36W
Dimensions	12.57" W x 1.76" H x 6.69" D
Weight	4.2 lbs
Approvals	UL, CE, ROHS Compliant
Operating Temperature	+32 to +104°F (0 to +40°C)
Storage Temperature	-4 to 140°F (-20 to +60°C)
Humidity	Up to 80% (No Condensation)

PART NO.	DESCRIPTION
SM-QKVM4K-S	4-Port HDMI, USB 2.0 KVM Switch with Multiview Preview Screen and Audio Support. Includes: [SM-QKVM4K & PS12VDC3A-WLLMNT]