

TECHNICAL SPECIFICATION

| VIDEO | |
|-----------------------|------------------------------------|
| Format | DisplayPort 1.1 and 1.2 |
| Video Resolution | Up to 3840 x 2160 @ 30 Hz |
| Video Bandwidth | 275 MHz |
| Input Interface (TX) | (1) DisplayPort female |
| Output Interface (RX) | (1) DisplayPort female |
| DDC | via AUX |
| Equalization | Automatic |
| Input Cable Length | Up to 15 ft. |
| Output Cable Length | Up to 15 ft. |
| AUDIO | |
| Format | Stereo |
| Frequency | 30KHz to 80KHz |
| Input Interface (TX) | (1) 3.5mm (Female) |
| Output Interface (RX) | (1) 3.5mm (Female) |
| USB | |
| Signal Type | USB 1.1 and USB 2.0 |
| Input Interface (TX) | (1) USB Type B (Female) |
| Output Interface (RX) | (4) USB Type A (Female) |
| OTHER | |
| Power | External 100-240 VAC/5VDC4A @ 20 W |
| Dimensions | 5.5" W x 1 7/8" H x 3 1/4" D |
| Weight | 1 lb per TX/RX unit |
| Operating Temp. | 0-55 °C (32-131 °F) |
| Storage Temp. | -20-85 °C (-4-185 °F) |
| Humidity | Up to 95% |

WHAT'S IN THE BOX

| PART NO. | Q-TY | DESCRIPTION |
|-------------------|------|--|
| DPX-XT-TX | 1 | DP, USB and Audio CAT5/5e/6 Transmitter. |
| DPX-XT-RX | 1 | DP, USB and Audio CAT5/5e/6 Receiver. |
| PS5VD3A-WMT | 2 | PS5VD3A Power Supply |
| Quick Start Guide | 1 | |

NOTICE

The information contained in this document is subject to change without notice. SmartAVI makes no warranty of any kind with regard to this material, including but not limited to, implied warranties of merchantability and fitness for particular purpose.

SmartAVI will not be liable for errors contained herein or for incidental or consequential damages in connection with the furnishing, performance or use of this material.

No part of this document may be photocopied, reproduced, or translated into another language without prior written consent from SmartAVI Technologies, Inc.



800.AVI.2131, 702.800.0005
2455 W Cheyenne Ave, Suite 112
North Las Vegas, NV 89032

SmartAVI.com

Smart-AVI
SMART AUDIO VIDEO INNOVATION

DPX-XT

DisplayPort, USB 2.0 and Audio KVM CAT5/6 Extender



**EXTEND DIGITAL VIDEO
(DISPLAYPORT 4K30HZ), USB
2.0, USB 1.1 KEYBOARD/
MOUSE AND AUDIO
UP TO 330 FT (100 M) OVER
A SINGLE CAT5E/6/6A
UNCOMPRESSED**

Quick Start Guide

ABOUT DPX-XT

The DPX-XT is an extender supporting DisplayPort video signals at resolutions up to 4K/30Hz, with bi-directional audio and fully-transparent USB 2.0 up to 330ft.

The DPX-XT is the first extender on the market to feature DP 4K/30Hz, USB 2.0, and full KVM extension on one cohesive system. Its DisplayPort 4K (3840x2160 @ 30Hz) video output is optimized for HD monitors with crystal-clear picture; excellent for detail-driven work.

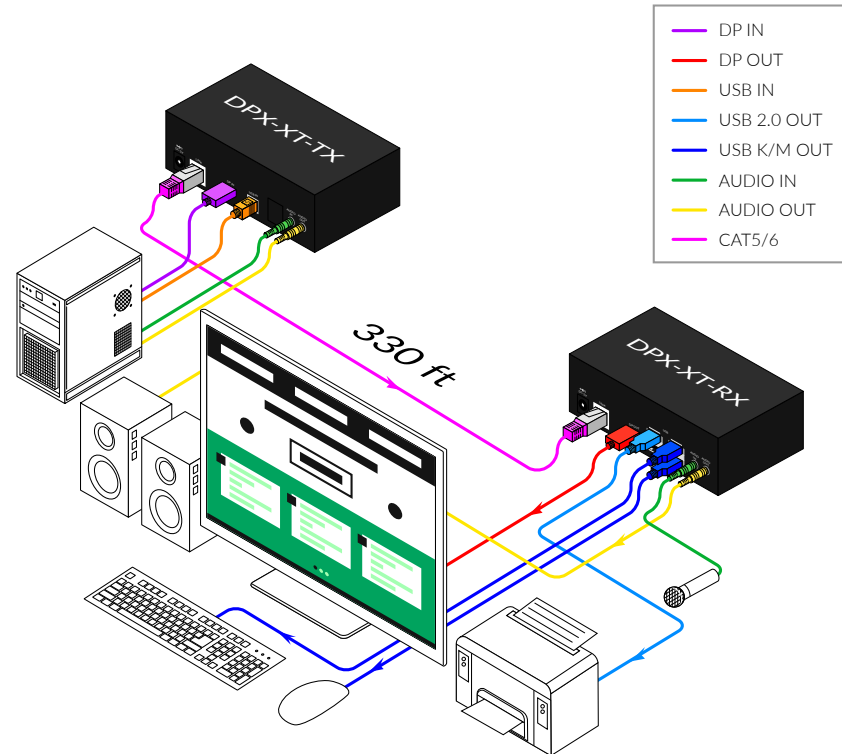
The DPX-XT extends fully-transparent USB 2.0, supporting keyboard, mouse, flash-drive, digital cameras, printer(s) and a wide variety of other USB 2.0 devices!

FEATURES

- Extends DisplayPort 1.1 and 1.2, USB 2.0 and audioup to 330 ft (100 m) from the source
- Supports up to 3840x2160 digital video resolution @ 30Hz
- Uncompressed Video
- Supports keyboard and mouse USB 1.1
- USB 2.0 Transparent
- Carries DP, USB 2.0 and Audio Over a Single CAT 5e/6/6a
- DisplayPort Auxiliary Bypass
- Plug-and-Play Ready

HARDWARE INSTALLATION

1. Power off all devices.
2. Connect a DisplayPort source (computer) to the DisplayPort port on the DPX-XT-TX.
3. Connect a USB source (computer) to the USB port on the DPX-XT-TX using a USB A to B cable (not included).
4. Connect the DPX-XT-TX to the DPX-XT-RX with one CAT5 UTP (Unsheilded Twisted Pair) cable.
5. Connect a DisplayPort compatible display to the DisplayPort port on the rear of the DPX-XT-RX.
6. Connect USB keyboard and mouse to the USB ports on the DPX-XT-RX.
7. Connect the power to the DPX-XT-RX and the DPX-XT-TX.
8. Power on the display and then the computer.



DPX-XT-TX FRONT



DPX-XT-RX FRONT



DPX-XT-TX BACK



DPX-XT-RX BACK

