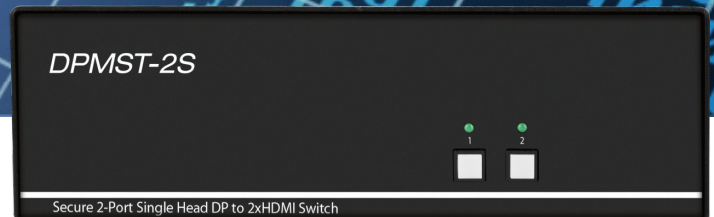


DPMST-2S

2 Port Secure MST DP KVM with Dual 4K HDMI Out



KEY FEATURES

- Supports Windows 7 and windows 10
- Single-head DP to Dual-head HDMI video interface for each connected computer
- Resolutions up to 4K UHD (3840 x 2160 @ 30Hz) per display
- DisplayPort1.2a dual mode receiver
- HDMI/DVI operation up to 320MHz
- Max video input resolution 4K2K@60Hz
- Multi-Stream Transport supports up to 2 streams
- Supports RGB or YCbCr
- Supports balanced speakers output and switching
- Advanced configurable CAC port
- Front panel tactile buttons with LED indicator
- External power supply - Level VI efficiency

SECURITY FEATURES

- Non-reprogrammable ROM
- Active Anti-tamper switches
- Long-life internal Anti-tampering battery
- External tamper-evident seals
- Keyboard, Mouse and Video emulation
- Absolute isolation - No data leakage between ports
- Certified by NIAP, the latest Common Criteria (Protection Profile for Peripheral Sharing Switch Version 3.0)

APPLICATIONS

- Government Operations
- Defense Applications
- Secure Control Rooms
- Corporate Communications
- Server Operations
- Educational Administrations
- Medical Facilities
- Banking Network
- Insurance Data Centers
- Transit Management
- Industrial Operation
- Intelligence Communications

OVERVIEW

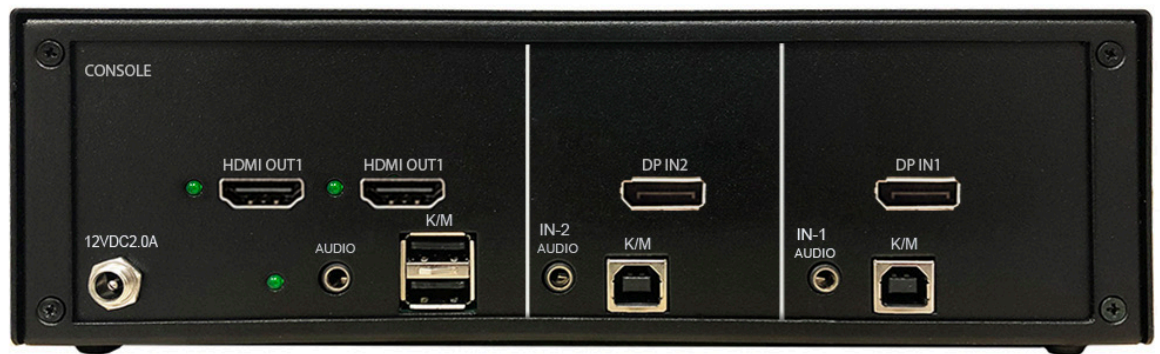
The Secure DPMST-2S converts a single DisplayPort 1.2 input signal to two separate HDMI Output connections through advanced Multi-Stream Transport technology. This allows a user to extend their display and achieve resolutions of up to 4K (3840 x 2160 @ 30 Hz) on each connected monitor without from single DP port.

The DPMST-2S is a Secure DisplayPort Standard Version 1.2a compliant device. The DPMST-2S can control up to 2 computers with single DP input connection each, and allows the support of two HDMI outputs in any combination.

DPMST-2S Front

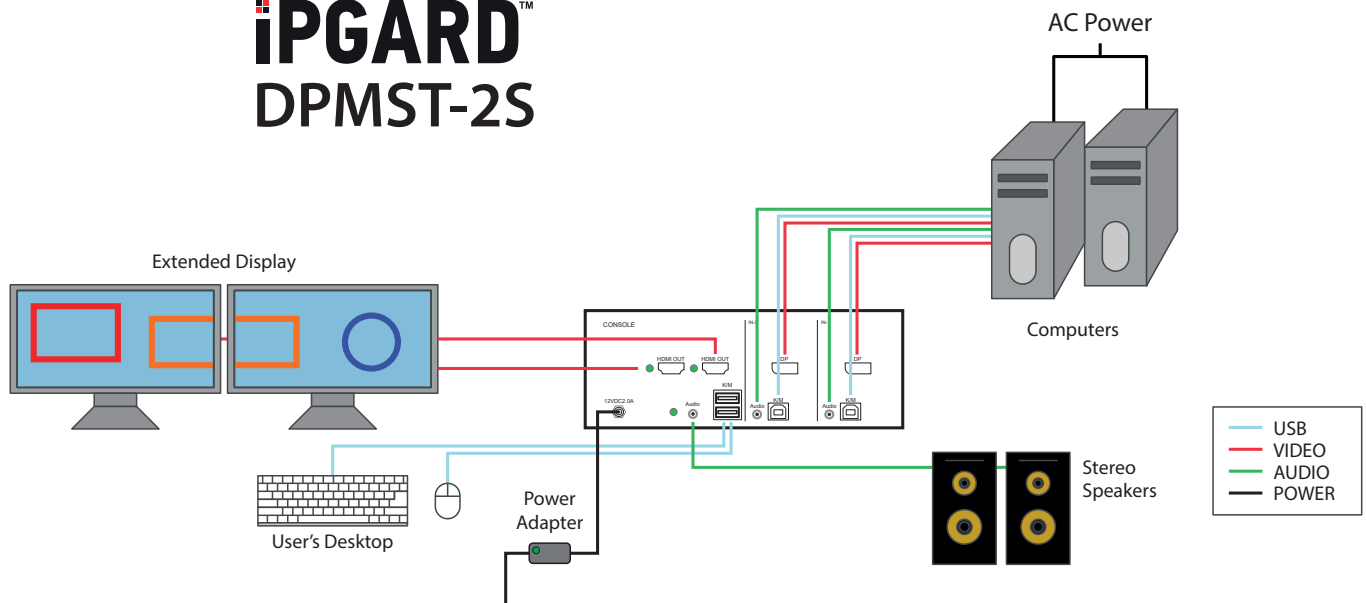


DPMST-2S Back



INSTALLATION DIAGRAM

iPGARD™ DPMST-2S



SPECIFICATIONS

VIDEO	
Format	DisplayPort1.2a
Input Interface	(2) DisplayPort
Output Interface	(2) HDMI
Input Resolution	Up to 4K (3840X2160 @60Hz)
Output Resolution	Up to 4K (3840X2160 @30Hz)
DDC	5 volts p-p (TTL)
Input Equalization	Automatic
Input Cable Length	Up to 20 ft.
Output Cable Length	Up to 20 ft.
USB	
Input Interface	(2) USB Type B
Output Interface	(2) USB 1.1 Type A for KM Devices
Emulation	USB 1.1 and USB 2.0 Compatible

AUDIO	
Audio Input	(2) 3.5mm stereo audio
Audio Output	(1) 3.5mm stereo audio
CONTROL	
Front Panel	Front panel SELECT buttons
OTHER	
Power	External 100-240 VAC/ 12VDC2A @ 24W
Dimensions	8.8" W x 2.63" H x 6.69" D
Weight	3.85 lbs
Approvals	NIAP PP 3.0, UL, CE, ROHS Compliant
Operating Temp.	+32 to +104°F (0 to +40°C)
Storage Temp.	-4 to 140°F (-20 to +60°C)
Humidity	Up to 80% (no condensation)

ORDERING INFORMATION		
Part No.	UPC	Description
DPMST-2S	686911122330	2 Port Secure KVM DP MST with Dual 4K HDMI Out. Includes: [1872-IPG-1005; PS12V2A]

CONTACT US



CALL US TOLL FREE:
(702) 485-4775
(888) 99-iPGARD
(702) 800-0005

info@iPGARD.com