

SKM-04-PLUS

4-PORT KM SWITCH WITH USB 2.0 WITH LAN



**MANAGE KEYBOARD AND MOUSE OPERATIONS ON FOUR COMPUTERS
FROM A SINGLE WORKSTATION WITH SUPPORT FOR USB 2.0 SHARING**

FEATURES

- Manage four connected computers
- Dedicated processors for emulation
- Supports independent switching for USB 2.0 devices
- Full keyboard and mouse emulation
- PASS (Progressive Automatic Screen Switching) technology for automatic switching following the user's mouse movement
- Front-panel switching and RS-232 control
- Driverless operation for easy implementation, in single head systems
- Simple Windows driver for Multi-Head systems
- Supports Firmware Updates

APPLICATIONS

- Government Operations
- Defense Applications
- Security Control Rooms
- Corporate Communications
- Server Operations
- Medical Campuses
- Airports



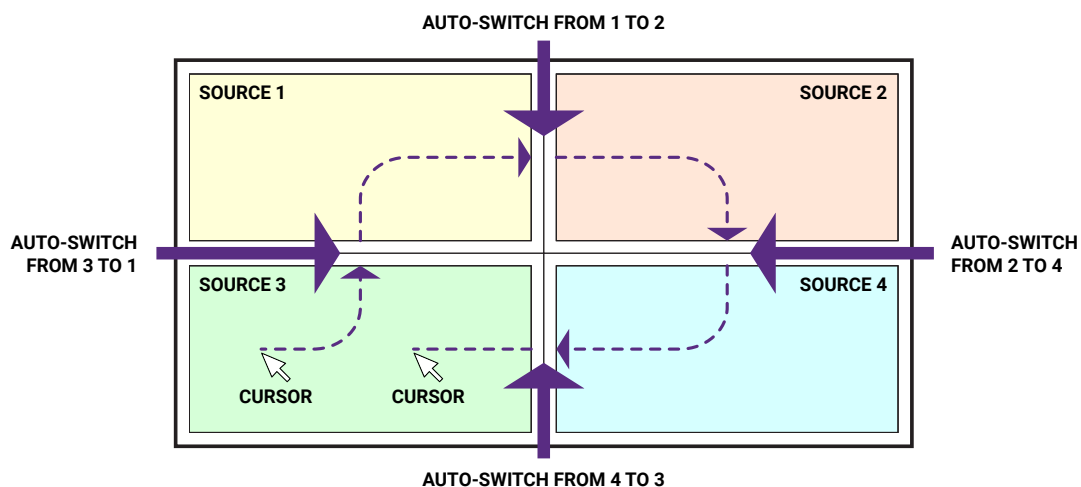
Designed and Manufactured in the USA

THE ULTIMATE MULTI-DISPLAY KM DEVICE

The SKM-04-PLUS enables users to manage and switch Keyboard and Mouse (KM) functions between four connected computers, including multi-head computers. It supports multiple displays per computer, enabling users to create the ultimate KM environment. A purpose-built KM switch offers a superior solution to KVM switches, especially when connecting multi-head computers. Monitors are connected directly to each computer and the SKM-04-PLUS handles switching between the computers for KM operation.

SEAMLESS INTEGRATION AND OPERATION

The SKM-04-PLUS can be used completely driverless in single monitor systems across operating systems. When dealing with Windows based multi-head systems a simple driver can be loaded, requiring no software to keep updated. The switch is compatible with virtually any computer and all common operating systems and supports all USB 2.0 devices with full KM emulation. Furthermore, the device enables users to control KM functions on connected computers without interrupting other USB peripheral devices connected simultaneously.

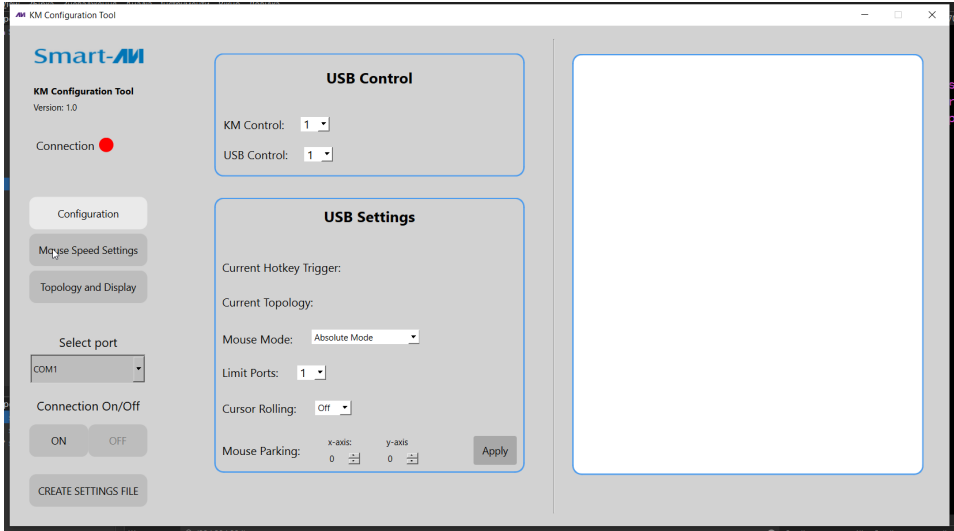


UNPARALLELED CONTROL MADE SIMPLE

Users can switch inputs via the buttons on the front panel or by using hotkeys. The SKM-04-PLUS is the first KM device on the market to offer RS-232 control. Users can also use Mouse Gesture Switching to change between computers by double clicking the center button on the mouse. Users can also use SmartAVI's new Progressive Automatic Screen Switching (PASS) technology, which enables the device to automatically switch computers based on the placement of the user's cursor. This quick, efficient, and intuitive technology allows for smooth switching that corresponds to a user's mouse movement.

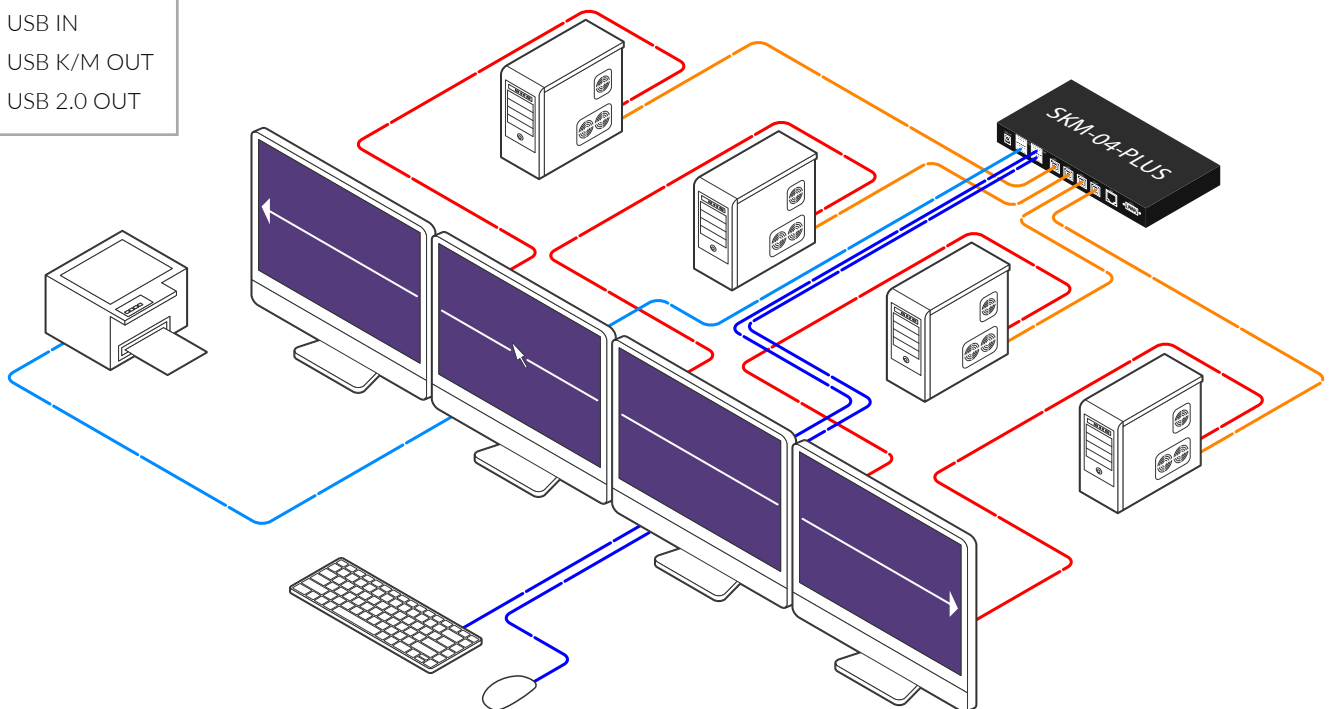
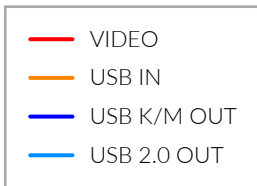
CUSTOMIZABLE CONTROL INTERFACE

The SKM-04-PLUS also includes a PC application for setting customized controls. Users can use a drop-down menu to select a different control configuration. The SKM-04-PLUS also features an IP module that empowers the user to access all customization features via a web app as well as an Android app for smartphones and tablets.

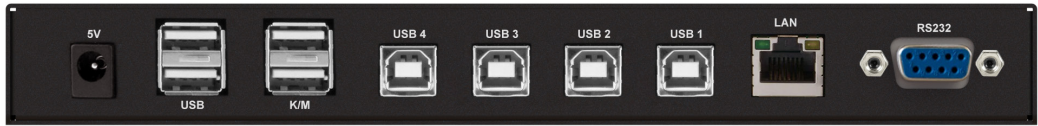


APPLICATION DIAGRAM

Smart-AM



FRONT AND BACK



SKM-04-PLUS Back



SKM-04-PLUS Front

TECHNICAL SPECIFICATIONS

USB	
Signal Type	USB 2.0, 1.1, and 1.0 w/ internal hub
CPU Ports	(4) USB Type B (female)
User Control Interface	(2) USB Type-A for keyboard and mouse connection only; (2) USB Type-A for USB 2.0 transparent

CONTROL	
Front Panel	Buttons
RS232	Via Control @ 115200 bps
Hot Keys	Via Keyboard
Mouse	PASS Technology and Mouse Gesture Switching

OTHER	
Power	External 100-240 VAC/5VDC2A @ 24W
Dimensions	12.57" W x 1.76" H x 6.69" D
Weight	4.2 lbs
Approvals	UL, CE, ROHS Compliant
Operating Temperature	+32 to +104°F (0 to +40°C)
Storage Temperature	-4 to 140°F (-20 to +60°C)
Humidity	5 to 90% (No Condensation)
Emulation	Keyboard and Mouse

PART NO.	DESCRIPTION
SKM-04-PLUS-S	4-Port KM Switch with USB 2.0 with LAN. Includes: [SKM-04-PLUS & (PS5VDC2A)]